

*Elementu saraksts*

<i>n/n</i>	<i>Elementa marka</i>	<i>Nosaukums</i>	<i>Skaits</i>	<i>Izmēriems, mm</i>	<i>Svars, kg</i>	<i>Kopējais svars, kg</i>	<i>Laukums kopā, m<sup>2</sup></i>	<i>Piezīmes</i>
1	MD-101	MONT. ELEMENTS	246	t20 x 200 x 200	6.4	1574.4	23.62	detail
2	MD-102	MONT. ELEMENTS	1	t20 x 220 x 230	8.1	8.1	0.12	detail
3	MD-103	MONT. ELEMENTS	6	t25 x 200 x 200	8.0	48.0	0.60	detail
4	MKL-101	STRINGER	1	4530 x 550 x 11408	3449.5	3449.5	26.49	
5	MKL-102	STRINGER	4	4255 x 308 x 11183	3280.5	13121.9	100.32	
6	MKL-201	STRINGER	1	4518 x 550 x 10143	3093.6	3093.6	23.57	
7	MKL-202	STRINGER	4	4250 x 308 x 8507	2529.0	10116.3	75.75	
8	MS-101	WQ-SIJA	2	360 x 700 x 7390	1786.3	3572.5	57.79	
9	MS-102	WQ-SIJA	3	360 x 700 x 7440	1798.1	5394.2	87.24	
10	MS-103	WQ-SIJA	1	395 x 700 x 7705	1870.3	1870.3	30.21	
11	MS-104	WQ-SIJA	3	360 x 700 x 7440	1798.1	5394.2	87.24	
12	MS-105	WQ-SIJA	1	395 x 700 x 7970	1942.5	1942.5	31.35	
13	MS-106	WQ-SIJA	2	360 x 700 x 7390	1786.3	3572.5	57.79	
14	MS-107	WQ-SIJA	1	395 x 700 x 7705	1870.3	1870.3	30.21	
15	MS-108	WQ-SIJA	3	360 x 700 x 7440	1798.1	5394.2	87.24	
16	MS-109	WQ-SIJA	2	360 x 700 x 7390	1786.3	3572.5	57.79	
17	MS-110	WQ-SIJA	3	360 x 700 x 7440	1798.1	5394.2	87.24	
18	MS-111	WQ-SIJA	1	395 x 700 x 7970	1942.5	1942.5	31.35	
19	MS-112	WQ-SIJA	2	360 x 700 x 7390	1786.2	3572.5	57.79	
20	MS-113	WQ-SIJA	6	360 x 700 x 7565	1823.9	10943.1	175.81	
21	MS-114	WQ-SIJA	1	360 x 700 x 7565	1823.8	1823.8	29.30	
22	MS-115	WQ-SIJA	4	360 x 700 x 7565	1823.8	7295.4	117.21	
23	MS-116	WQ-SIJA	1	360 x 700 x 7565	1823.9	1823.9	29.30	
24	MS-117	WQ-SIJA	5	360 x 700 x 7666	1839.4	9196.9	148.60	
25	MS-118	WQ-SIJA	1	395 x 700 x 7930	1906.9	1906.9	30.80	
26	MS-119	WQ-SIJA	5	360 x 700 x 7440	1798.1	8990.2	145.40	
27	MS-120	WQ-SIJA	1	395 x 700 x 7705	1870.2	1870.2	30.21	
28	MS-121	WQ-SIJA	1	395 x 725 x 7825	1988.9	1988.9	34.53	
29	MS-122	WQ-SIJA	5	360 x 725 x 7560	1914.3	9571.6	166.27	

			Objekts:	1400-MD	
--	--	--	----------	---------	--

Izstrād.				Pasūtītājs:			
MKD pr.vad.				<i>Montāžas shēma Elementu saraksts</i>		Stadija	MKD
Pārbaud.						Lapa	Lapas
Apstipr.						5	32

Tekla structures

*Elementu saraksts*

<i>n/n</i>	<i>Elementa marka</i>	<i>Nosaukums</i>	<i>Skaits</i>	<i>Izmēriems, mm</i>	<i>Svars, kg</i>	<i>Kopējais svars, kg</i>	<i>Laukums kopā, m<sup>2</sup></i>	<i>Piezīmes</i>
30	MS-123	WQ-SIJA	5	360 x 700 x 7666	1837.1	9185.6	148.46	
31	MS-124	WQ-SIJA	1	360 x 700 x 7666	1835.4	1835.4	29.67	
32	MS-125	WQ-SIJA	3	360 x 700 x 7619	1840.3	5521.0	89.21	
33	MS-126	WQ-SIJA	1	395 x 700 x 8149	1984.7	1984.7	32.00	
34	MS-127	WQ-SIJA	2	360 x 700 x 7569	1828.5	3657.0	59.11	
35	MS-128	WQ-SIJA	1	360 x 700 x 7990	1922.2	1922.2	31.03	
36	MS-129	WQ-SIJA	1	360 x 700 x 8040	1933.2	1933.2	31.20	
37	MS-130	WQ-SIJA	3	360 x 700 x 8040	1933.2	5799.6	93.60	
38	MS-131	WQ-SIJA	1	395 x 700 x 7884	1912.5	1912.5	30.87	
39	MS-132	WQ-SIJA	5	360 x 700 x 7619	1840.3	9201.6	148.68	
40	MS-133	WQ-SIJA	4	360 x 700 x 8040	1934.4	7737.6	124.86	
41	MS-134	WQ-SIJA	1	360 x 700 x 7990	1923.4	1923.4	31.04	
42	MS-201	WQ-SIJA	5	360 x 700 x 5440	908.1	4540.4	106.79	
43	MS-202	WQ-SIJA	1	395 x 700 x 5970	1024.9	1024.9	23.62	
44	MS-203	WQ-SIJA	10	360 x 700 x 5440	908.1	9080.9	213.59	
45	MS-204	WQ-SIJA	2	395 x 700 x 5970	1024.9	2049.9	47.23	
46	MS-205	WQ-SIJA	5	360 x 3815 x 2995	858.0	4289.9	94.12	
47	MS-206	WQ-SIJA	1	395 x 3815 x 3260	916.4	916.4	19.95	
48	MS-207	WQ-SIJA	1	360 x 700 x 2314	376.4	376.4	9.11	
49	MS-208	WQ-SIJA	5	360 x 700 x 2314	367.1	1835.3	44.81	
50	MS-209	WQ-SIJA	2	360 x 700 x 5788	955.7	1911.5	44.88	
51	MS-210	WQ-SIJA	3	360 x 700 x 5838	963.7	2891.1	67.86	
52	MS-211	WQ-SIJA	1	395 x 700 x 6103	1022.1	1022.1	23.75	
53	MS-212	WQ-SIJA	5	360 x 700 x 5574	934.9	4674.7	109.28	
54	MS-213	WQ-SIJA	1	395 x 700 x 6104	1044.3	1044.3	23.86	
55	MS-214	WQ-SIJA	1	395 x 700 x 6104	1044.3	1044.3	23.86	
56	MS-215	WQ-SIJA	4	360 x 700 x 5574	934.9	3739.8	87.42	
57	MS-216	WQ-SIJA	1	360 x 700 x 5574	929.4	929.4	21.85	
58	MS-217	WQ-SIJA	1	395 x 700 x 6104	1046.2	1046.2	24.10	

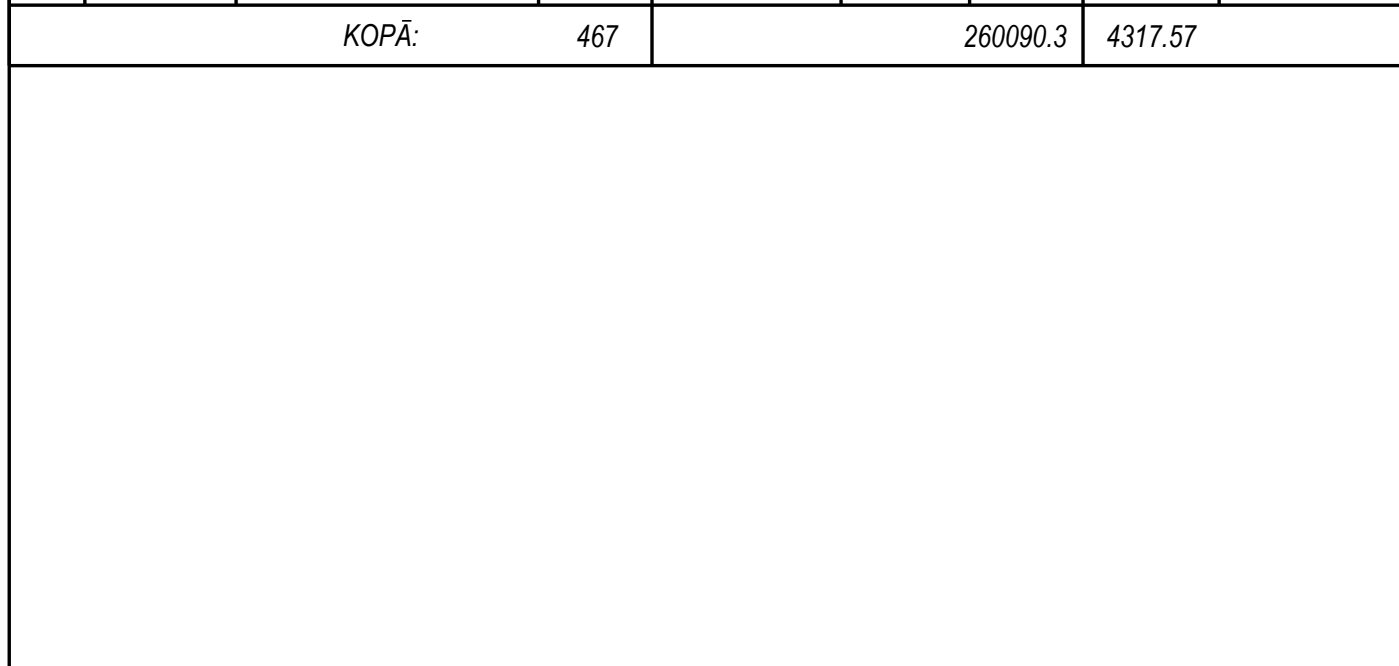
			Objekts:	<b>1400-MD</b>
--	--	--	----------	----------------

Izstrād.				Pasūtītājs:		
MKD pr.vad.				<b>Montāžas shēma Elementu saraksts</b>	Stadija	MKD
Pārbaud.					Lapa	Lapas
Apstipr.					6	32

Tekla structures

*Elementu saraksts*

<i>n/n</i>	<i>Elementa marka</i>	<i>Nosaukums</i>	<i>Skaits</i>	<i>Izmēriems, mm</i>	<i>Svars, kg</i>	<i>Kopējais svars, kg</i>	<i>Laukums kopā, m<sup>2</sup></i>	<i>Piezīmes</i>
59	MS-218	WQ-SIJA	5	360 x 700 x 5574	929.4	4647.0	109.23	
60	MS-401	WQ-SIJA	1	360 x 700 x 7990	1261.6	1261.6	30.00	
61	MS-402	WQ-SIJA	1	360 x 600 x 7990	1216.6	1216.6	29.25	
62	MS-501	SIJA	5	360 x 208 x 1996	120.9	604.5	13.89	
63	MS-502	SIJA	4	360 x 208 x 1996	120.9	483.6	11.11	
64	MS-601	SIJA	6	215 x 400 x 3815	411.7	2470.4	44.23	
65	MS-602	SIJA	5	215 x 400 x 4469	479.0	2395.1	42.76	
66	MS-603	SIJA	6	215 x 400 x 3853	411.9	2471.5	44.34	
67	MS-604	SIJA	1	215 x 400 x 4469	483.7	483.7	8.63	
68	MS-701	SIJA	5	195 x 360 x 2927	185.8	929.2	21.34	
69	MS-702	SIJA	1	195 x 360 x 2927	190.0	190.0	4.34	
70	MS-801	SIJA	12	275 x 340 x 1740	115.1	1381.3	31.83	
71	MS-802	SIJA	5	290 x 310 x 3454	116.6	582.8	16.94	
72	MS-803	SIJA	6	275 x 340 x 2122	137.5	824.8	19.21	
73	MS-804	SIJA	1	325 x 310 x 3454	117.1	117.1	3.40	
74	MS-901	SIJA	1	560 x 1100 x 10515	1631.7	1631.7	21.12	
75	MS-902	SIJA	4	560 x 1100 x 10515	1631.7	6526.7	84.49	
76	MS-903	SIJA	4	560 x 1100 x 10515	1631.7	6526.7	84.49	
<i>KOPĀ:</i>			<i>467</i>			<i>260090.3</i>	<i>4317.57</i>	



			Objekts:		<b>1400-MD</b>		
Izstrād.			Pasūtītājs:				
MKD pr.vad.			<i>Montāžas shēma Elementu saraksts</i>				
Pārbaud.						Stadija	MKD
Apstipr.						Lapa	Lapas
			7	32			

**Detalju saraksts**

<i>n/n</i>	<i>Detaljas poz.</i>	<i>Daudzums, gab.</i>	<i>Profils</i>	<i>Garums, mm</i>	<i>Svars, kg</i>	<i>Kopējais svars, kg</i>	<i>Tērauda marka</i>	<i>Piezīmes</i>
1	1001	6	PL15*400	3455	155.6	933.8	S355J2	
2	1002	6	PL15*400	3455	165.8	995.0	S355J2	
3	1003	12	PL15*250	1740	52.2	626.4	S355J2	
4	1004	6	PL15*330	2122	64.6	387.3	S355J2	
5	1005	9	PL15*140	312	5.2	46.7	S355J2	
6	1006	27	PL15*140	312	5.2	140.2	S355J2	
7	1007	9	PL10*140	312	3.5	31.1	S355J2	
8	1008	9	PL10*140	312	3.5	31.1	S355J2	
9	1009	4	PL25*140	312	8.7	34.6	S355J2	
10	1010	9	PL25*140	312	8.7	77.9	S355J2	
11	1011	4	PL25*140	312	8.7	34.6	S355J2	
12	1012	2	PL20*550	800	70.4	140.8	S355J2	
13	1013	5	PL15*360	2561	94.9	474.4	S355J2	
14	1014	6	PL10*130	180	1.9	11.1	S355J2	
15	1015	6	PL10*80	168	1.1	6.4	S355J2	
16	1016	6	PL10*80	168	1.1	6.4	S355J2	
17	1017	12	PL8*95	168	1.0	12.1	S355J2	
18	1018V	6	PL8*316	450	9.1	54.6	S355J2	
19	1019	1	PL15*360	2740	99.0	99.0	S355J2	
20	1020	36	PL10*100	220	1.8	63.4	S355J2	
21	1022	30	PL20*100	230	3.7	110.4	S355J2	
22	1024	1	PL25*140	312	8.7	8.7	S355J2	
23	1026	79	PL20*350	500	28.0	2211.8	S355J2	
24	1028	1	PL20*350	500	28.0	28.0	S355J2	
25	1029	6	PL10*120	290	2.8	16.7	S355J2	
26	1030	5	PL10*180	280	4.0	20.2	S355J2	
27	1031	6	PL12*320	490	15.1	90.3	S355J2	
28	1032	12	PL12*55	220	1.1	13.7	S355J2	
29	1033	6	PL15*400	3549	163.3	979.9	S355J2	

			Objekts:			<b>1400-MD</b>		
Izstrād.			Pasūtītājs:					
MKD pr.vad.			<b>Montāžas shēma Detalju saraksts</b>				Stadija	MKD
Pārbaud.							Lapa	Lapas
Apstipr.							8	32

**Detāļu saraksts**

<i>n/n</i>	<i>Detāļas poz.</i>	<i>Daudzums, gab.</i>	<i>Profils</i>	<i>Garums, mm</i>	<i>Svars, kg</i>	<i>Kopējais svars, kg</i>	<i>Tērauda marka</i>	<i>Piezīmes</i>
30	1034	12	PL15*140	250	4.2	50.4	S355J2	
31	1035	12	PL15*110	135	1.6	19.3	S355J2	
32	1036V	12	PL10*250	450	9.0	108.0	S355J2	
33	1037	5	PL15*400	4166	193.4	966.8	S355J2	
34	1038	6	PL10*55	220	1.0	5.7	S355J2	
35	1039	6	PL10*90	220	1.5	8.8	S355J2	
36	1040	6	PL10*150	170	1.9	11.5	S355J2	
37	1041	6	PL10*100	230	1.8	11.0	S355J2	
38	1042	12	PL20*385	500	30.7	368.9	S355J2	
39	1043V	12	PL20*305	450	21.8	261.8	S355J2	
40	1044V	14	PL20*313	450	22.4	313.5	S355J2	
41	1046	1	PL20*350	500	27.9	27.9	S355J2	
42	1047	111	PL20*350	500	27.9	3101.8	S355J2	
43	1048	12	PL20*350	520	29.1	348.7	S355J2	
44	1049	9	PL12*110	160	1.7	15.2	S355J2	
45	1050V	9	PL8*160	450	4.6	41.5	S355J2	
46	1051	9	PL5*95	300	1.1	10.3	S355J2	
47	1052	1	PL15*400	4166	198.0	198.0	S355J2	
48	1053	1	PL10*180	315	4.5	4.5	S355J2	
49	1054	11	PL20*350	500	27.9	307.4	S355J2	
50	1055	14	PL20*385	500	30.8	431.2	S355J2	
51	1056	6	PL20*350	520	29.1	174.7	S355J2	
52	1058	12	PL20*350	500	27.9	335.3	S355J2	
53	1059	5	PL20*350	500	27.9	139.7	S355J2	
54	Fh-1	6	PL5*80	2583	8.3	49.6	S355J2	
55	Fh-3	5	PL5*80	2385	7.6	38.2	S355J2	
56	Fh-4	6	PL5*80	2565	8.2	49.2	S355J2	
57	Fh-5	6	PL5*80	1685	5.4	32.4	S355J2	
58	Fh-6	1	PL5*80	2625	8.4	8.4	S355J2	

			Objekts:	1400-MD	
--	--	--	----------	---------	--

Izstrād.				Pasūtītājs:			
MKD pr.vad.				<b>Montāžas shēma Detāļu saraksts</b>		Stadija	MKD
Pārbaud.						Lapa	Lapas
Apstipr.						9	32

Tekla structures

**Detāļu saraksts**

<i>n/n</i>	<i>Detāļas poz.</i>	<i>Daudzums, gab.</i>	<i>Profils</i>	<i>Garums, mm</i>	<i>Svars, kg</i>	<i>Kopējais svars, kg</i>	<i>Tērauda marka</i>	<i>Piezīmes</i>
59	Fq2-1	3	PL12*449	5792	230.6	691.8	S355J2	
60	Fq2-2	15	PL12*449	5534	221.7	3326.2	S355J2	
61	Fq2-3	8	PL20*449	8000	546.7	4373.9	S355J2	
62	Fq2-4	8	PL20*449	7579	516.5	4131.9	S355J2	
63	Fq2-5	11	PL20*449	7620	515.7	5672.6	S355J2	
64	Fq2-6	5	PL20*449	7520	512.3	2561.3	S355J2	
65	Fq2-7	6	PL12*449	2273	83.3	499.7	S355J2	
66	Fq2-8	17	PL20*449	7400	503.6	8561.7	S355J2	
67	Fq2-9	12	PL20*449	7525	512.6	6151.3	S355J2	
68	Fq2-10	15	PL12*449	5400	216.0	3239.6	S355J2	
69	Fq2-11	2	PL12*449	5742	228.4	456.9	S355J2	
70	Fq2-12	2	PL20*449	7950	543.1	1086.3	S355J2	
71	Fq2-13	2	PL20*449	7529	512.9	1025.8	S355J2	
72	Fq2-14	8	PL20*449	7350	500.0	4000.3	S355J2	
73	Fq2-15	2	PL12*449	7950	325.9	651.8	S355J2	
74	Fq2-16	3	PL20*449	7665	507.5	1522.6	S355J2	
75	Fq2-17	2	PL20*449	7930	511.5	1022.9	S355J2	
76	Fq2-18	3	PL12*449	5930	220.7	662.0	S355J2	
77	Fq2-19	1	PL20*449	7884	519.6	519.6	S355J2	
78	Fq2-20	1	PL20*449	7785	516.2	516.2	S355J2	
79	Fq2-21	1	PL20*449	7844	520.4	520.4	S355J2	
80	Fq2-22	3	PL12*449	6064	226.4	679.3	S355J2	
81	Fq2-23	1	PL20*449	8109	524.3	524.3	S355J2	
82	Fq2-26	1	PL12*449	6057	233.0	233.0	S355J2	
83	Fq2-27	5	PL12*449	2642	101.6	508.2	S355J2	
84	Fq2-28	1	PL12*449	2907	104.0	104.0	S355J2	
85	Fq3-1	3	PL15*700	5817	482.5	1447.4	S355J2	
86	Fq3-2	15	PL15*700	5534	464.9	6972.8	S355J2	
87	Fq3-3	4	PL20*700	8000	889.5	3557.8	S355J2	

			Objekts:	<b>1400-MD</b>
--	--	--	----------	----------------

Izstrād.				Pasūtītājs:		
MKD pr.vad.				<b>Montāžas shēma Detāļu saraksts</b>	Stadija	MKD
Pārbaud.					Lapa	Lapas
Apstipr.					10	32

Tekla structures

**Detāļu saraksts**

<i>n/n</i>	<i>Detāļas poz.</i>	<i>Daudzums, gab.</i>	<i>Profils</i>	<i>Garums, mm</i>	<i>Svars, kg</i>	<i>Kopējais svars, kg</i>	<i>Tērauda marka</i>	<i>Piezīmes</i>
88	Fq3-4	4	PL20*700	8000	890.6	3562.5	S355J2	
89	Fq3-5	8	PL20*700	7579	848.8	6790.0	S355J2	
90	Fq3-6	5	PL20*700	7645	848.0	4239.9	S355J2	
91	Fq3-7	5	PL20*700	7520	842.1	4210.7	S355J2	
92	Fq3-8	5	PL15*700	2294	163.8	818.9	S355J2	
93	Fq3-9	5	PL20*700	7623	845.7	4228.7	S355J2	
94	Fq3-10	17	PL20*700	7400	828.7	14087.8	S355J2	
95	Fq3-11	11	PL20*700	7525	842.7	9269.7	S355J2	
96	Fq3-12	15	PL15*700	5400	453.6	6804.0	S355J2	
97	Fq3-13	2	PL15*700	5767	478.3	956.6	S355J2	
98	Fq3-14	1	PL20*700	7950	884.7	884.7	S355J2	
99	Fq3-15	1	PL20*700	7950	885.8	885.8	S355J2	
100	Fq3-16	2	PL20*700	7529	843.1	1686.3	S355J2	
101	Fq3-17	1	PL20*700	7623	844.0	844.0	S355J2	
102	Fq3-18	8	PL20*700	7350	823.1	6584.8	S355J2	
103	Fq3-19	1	PL15*700	7950	614.4	614.4	S355J2	
104	Fq3-20	1	PL15*600	7950	569.8	569.8	S355J2	
105	Fq3-21	1	PL20*700	7525	842.7	842.7	S355J2	
106	Fq3-22	3	PL20*700	7665	858.4	2575.3	S355J2	
107	Fq3-23	2	PL20*700	7930	888.2	1776.3	S355J2	
108	Fq3-24	3	PL15*700	5930	498.1	1494.4	S355J2	
109	Fq3-26	1	PL15*700	2294	173.0	173.0	S355J2	
110	Fq3-27	1	PL20*700	7785	871.4	871.4	S355J2	
111	Fq3-28	1	PL20*700	7910	873.2	873.2	S355J2	
112	Fq3-29	1	PL20*700	7844	878.5	878.5	S355J2	
113	Fq3-30	3	PL15*700	6064	509.4	1528.1	S355J2	
114	Fq3-31	1	PL20*700	8109	908.2	908.2	S355J2	
115	Fq3-34	1	PL15*700	6082	504.7	504.7	S355J2	
116	Fq3-35	5	PL15*700	2660	202.3	1011.6	S355J2	

			Objekts:			<b>1400-MD</b>	
Izstrād.			Pasūtītājs:				
MKD pr.vad.			<b>Montāžas shēma</b> <b>Detāļu saraksts</b>				
Pārbaud.							
Apstipr.							
			Stadija		MKD		
			Lapa		Lapas		
			11		32		

**Detāļu saraksts**

<i>n/n</i>	<i>Detāļas poz.</i>	<i>Daudzums, gab.</i>	<i>Profils</i>	<i>Garums, mm</i>	<i>Svars, kg</i>	<i>Kopējais svars, kg</i>	<i>Tērauda marka</i>	<i>Piezīmes</i>
117	Fq3-36	1	PL15*700	2925	224.6	224.6	S355J2	
118	Lq1-1	3	PL6*316	5792	87.8	263.5	S355J2	
119	Lq1-2	5	PL6*316	5534	83.9	419.7	S355J2	
120	Lq1-3	4	PL6*316	5534	83.9	335.8	S355J2	
121	Lq1-4	3	PL10*312	8000	199.7	599.0	S355J2	
122	Lq1-5	4	PL10*312	8000	199.7	798.7	S355J2	
123	Lq1-6	3	PL10*312	7579	189.2	567.5	S355J2	
124	Lq1-7	5	PL6*316	5534	83.9	419.7	S355J2	
125	Lq1-8	5	PL10*312	7579	189.2	945.9	S355J2	
126	Lq1-9	5	PL10*312	7620	190.1	950.6	S355J2	
127	Lq1-10	5	PL10*312	7520	187.7	938.5	S355J2	
128	Lq1-11	6	PL6*316	2273	34.5	206.9	S355J2	
129	Lq1-12	6	PL10*312	7522	187.8	1126.5	S355J2	
130	Lq1-13	11	PL10*312	7400	184.7	2031.7	S355J2	
131	Lq1-14	6	PL10*312	7525	187.8	1126.9	S355J2	
132	Lq1-15	6	PL10*312	7525	187.8	1126.9	S355J2	
133	Lq1-16	3	PL10*312	7400	184.7	554.1	S355J2	
134	Lq1-17	15	PL6*316	5400	81.9	1228.6	S355J2	
135	Lq1-18	3	PL10*312	7400	184.7	554.1	S355J2	
136	Lq1-19	2	PL6*316	5742	87.1	174.2	S355J2	
137	Lq1-20	1	PL10*312	7950	198.4	198.4	S355J2	
138	Lq1-21	1	PL10*312	7950	198.4	198.4	S355J2	
139	Lq1-22	2	PL10*312	7529	187.9	375.8	S355J2	
140	Lq1-23	2	PL10*312	7350	183.5	366.9	S355J2	
141	Lq1-24	2	PL10*312	7350	183.5	366.9	S355J2	
142	Lq1-25	2	PL10*312	7350	183.5	366.9	S355J2	
143	Lq1-26	2	PL10*312	7350	183.5	366.9	S355J2	
144	Lq1-27	1	PL6*316	7950	120.6	120.6	S355J2	
145	Lq1-28	1	PL6*316	7950	120.6	120.6	S355J2	

			Objekts:	<b>1400-MD</b>	
--	--	--	----------	----------------	--

Izstrād.				Pasūtītājs:			
MKD pr.vad.				<b>Montāžas shēma</b> <b>Detāļu saraksts</b>		Stadija	MKD
Pārbaud.						Lapa	Lapas
Apstipr.						12	32

Tekla structures



**Detāļu saraksts**

<i>n/n</i>	<i>Detāļas poz.</i>	<i>Daudzums, gab.</i>	<i>Profils</i>	<i>Garums, mm</i>	<i>Svars, kg</i>	<i>Kopējais svars, kg</i>	<i>Tērauda marka</i>	<i>Piezīmes</i>
146	Lq1-29	1	PL6*316	5534	83.9	83.9	S355J2	
147	Lq1-30	2	PL10*312	7665	191.3	382.6	S355J2	
148	Lq1-31	1	PL10*312	7930	197.9	197.9	S355J2	
149	Lq1-32	3	PL6*316	5930	89.9	269.8	S355J2	
150	Lq1-33	1	PL10*312	7930	197.9	197.9	S355J2	
151	Lq1-34	1	PL10*312	7665	191.3	191.3	S355J2	
152	Lq1-36	1	PL10*312	7785	194.3	194.3	S355J2	
153	Lq1-37	1	PL10*312	7885	196.7	196.7	S355J2	
154	Lq1-38	1	PL10*312	7844	195.8	195.8	S355J2	
155	Lq1-39	1	PL6*316	6064	92.0	92.0	S355J2	
156	Lq1-40	1	PL10*312	8109	202.4	202.4	S355J2	
157	Lq1-42	1	PL10*312	8000	199.7	199.7	S355J2	
158	Lq1-43	1	PL6*316	6064	92.0	92.0	S355J2	
159	Lq1-44	1	PL6*316	6064	92.0	92.0	S355J2	
160	Lq1-45	1	PL6*316	6057	91.9	91.9	S355J2	
161	Lq1-46	5	PL6*316	2771	41.2	206.1	S355J2	
162	Lq1-47	1	PL6*316	3036	45.3	45.3	S355J2	
163	MD-101	246	PL20*200	200	6.4	1574.4	S355J2	
164	MD-102	1	PL20*220	230	8.1	8.1	S355J2	
165	MD-103	6	PL25*200	200	8.0	48.0	S355J2	
166	Ms2-01	6	HEB200	3815	238.3	1429.8	S355J2	
167	Ms5-01	9	IPE360	1996	116.1	1044.6	S355J2	
168	Ms5-02	18	L100*12	100	1.8	32.7	S355J2	
169	Ms6-01	6	HEB200	3815	238.3	1429.8	S355J2	
170	Ms6-02	1	HEB200	4469	279.1	279.1	S355J2	
171	Ms6-03	6	HEB200	3853	240.6	1443.9	S355J2	
172	Ms6-04	5	HEB200	4469	279.1	1395.7	S355J2	
173	Ms7-01	6	HEA160	2752	85.4	512.1	S355J2	
174	Ms8-01	12	IPE240	1740	54.4	653.0	S355J2	BR

			Objekts:	1400-MD	
--	--	--	----------	---------	--

Izstrād.				Pasūtītājs:			
MKD pr.vad.				<b>Montāžas shēma Detāļu saraksts</b>		Stadija	MKD
Pārbaud.						Lapa	Lapas
Apstipr.						13	32

Tekla struktūras

**Detāļu saraksts**

<i>n/n</i>	<i>Detāļas poz.</i>	<i>Daudzums, gab.</i>	<i>Profils</i>	<i>Garums, mm</i>	<i>Svars, kg</i>	<i>Kopējais svars, kg</i>	<i>Tērauda marka</i>	<i>Piezīmes</i>
175	Ms8-02	6	IPE240	2097	65.6	393.5	S355J2	
176	Ms8-03	6	IPE240	3336	104.3	626.0	S355J2	
177	Ms9-01	5	HEB360	10515	1519.1	7595.7	S355J2	
178	Ms9-02	9	HEB200	1100	68.7	618.4	S355J2	BR
179	Ms9-03	4	HEB360	10515	1519.1	6076.5	S355J2	
180	R 2x450x313-1	241	PL2*313	450	1.9	468.3	S355J2	
181	R 4x450x305-1	458	PL4*305	450	3.8	1727.2	S355J2	
182	R 4x450x305-2	12	PL4*305	450	3.9	46.4	S355J2	
183	R 4x450x305-3	10	PL4*305	450	3.4	33.8	S355J2	
184	Rq1-1	3	PL6*316	5695	86.4	259.1	S355J2	
185	Rq1-2	5	PL6*316	5534	83.9	419.7	S355J2	
186	Rq1-3	5	PL6*316	5534	83.9	419.7	S355J2	
187	Rq1-4	3	PL10*312	8000	199.7	599.0	S355J2	
188	Rq1-5	4	PL10*312	8000	199.7	798.7	S355J2	
189	Rq1-6	3	PL10*312	7579	189.2	567.5	S355J2	
190	Rq1-7	5	PL6*316	5534	83.9	419.7	S355J2	
191	Rq1-8	5	PL10*312	7579	189.2	945.9	S355J2	
192	Rq1-9	5	PL10*312	7522	187.8	938.8	S355J2	
193	Rq1-10	5	PL10*312	7520	187.7	938.5	S355J2	
194	Rq1-11	5	PL6*316	2176	33.0	165.0	S355J2	
195	Rq1-12	6	PL10*312	7620	190.1	1140.7	S355J2	
196	Rq1-13	11	PL10*312	7400	184.7	2031.7	S355J2	
197	Rq1-14	6	PL10*312	7525	187.8	1126.9	S355J2	
198	Rq1-15	6	PL10*312	7525	187.8	1126.9	S355J2	
199	Rq1-16	3	PL10*312	7400	184.7	554.1	S355J2	
200	Rq1-17	15	PL6*316	5400	81.9	1228.6	S355J2	
201	Rq1-18	3	PL10*312	7400	184.7	554.1	S355J2	
202	Rq1-19	2	PL6*316	5645	85.6	171.2	S355J2	
203	Rq1-20	1	PL10*312	7950	198.4	198.4	S355J2	

			Objekts:	1400-MD	
--	--	--	----------	---------	--

Izstrād.				Pasūtītājs:			
MKD pr.vad.				<b>Montāžas shēma</b> <b>Detāļu saraksts</b>		Stadija	MKD
Pārbaud.						Lapa	Lapas
Apstipr.						14	32

Tekla structures

**Detāļu saraksts**

<i>n/n</i>	<i>Detāļas poz.</i>	<i>Daudzums, gab.</i>	<i>Profils</i>	<i>Garums, mm</i>	<i>Svars, kg</i>	<i>Kopējais svars, kg</i>	<i>Tērauda marka</i>	<i>Piezīmes</i>
204	Rq1-21	1	PL10*312	7950	198.4	198.4	S355J2	
205	Rq1-22	2	PL10*312	7529	187.9	375.8	S355J2	
206	Rq1-23	2	PL10*312	7350	183.5	366.9	S355J2	
207	Rq1-24	2	PL10*312	7350	183.5	366.9	S355J2	
208	Rq1-25	2	PL10*312	7350	183.5	366.9	S355J2	
209	Rq1-26	2	PL10*312	7350	183.5	366.9	S355J2	
210	Rq1-27	1	PL6*316	7950	120.6	120.6	S355J2	
211	Rq1-28	1	PL6*316	7950	120.6	120.6	S355J2	
212	Rq1-29	2	PL10*312	7665	191.3	382.6	S355J2	
213	Rq1-30	1	PL10*312	7930	197.9	197.9	S355J2	
214	Rq1-31	3	PL6*316	5930	89.9	269.8	S355J2	
215	Rq1-32	1	PL10*312	7930	197.9	197.9	S355J2	
216	Rq1-33	1	PL10*312	7665	191.3	191.3	S355J2	
217	Rq1-35	1	PL10*312	7785	194.3	194.3	S355J2	
218	Rq1-36	1	PL10*312	7787	194.4	194.4	S355J2	
219	Rq1-37	1	PL10*312	7844	195.8	195.8	S355J2	
220	Rq1-38	1	PL6*316	6064	92.0	92.0	S355J2	
221	Rq1-39	1	PL10*312	8109	202.4	202.4	S355J2	
222	Rq1-41	1	PL10*312	8000	199.7	199.7	S355J2	
223	Rq1-42	1	PL6*316	6064	92.0	92.0	S355J2	
224	Rq1-43	1	PL6*316	6064	92.0	92.0	S355J2	
225	Rq1-44	1	PL6*316	5960	90.4	90.4	S355J2	
226	Rq1-45	5	PL6*316	2771	41.2	206.1	S355J2	
227	Rq1-46	1	PL6*316	3036	45.3	45.3	S355J2	
228	Rq1-47	1	PL6*316	2176	33.0	33.0	S355J2	
229	Sh-1	24	PL5*104	120	0.5	11.7	S355J2	
230	Sh-2	66	PL5*100	120	0.5	30.9	S355J2	
231	St-01	4	HEM360	1411	360.0	1440.0	S355J2	
232	St-02	8	HEM360	3970	1013.1	8104.4	S355J2	

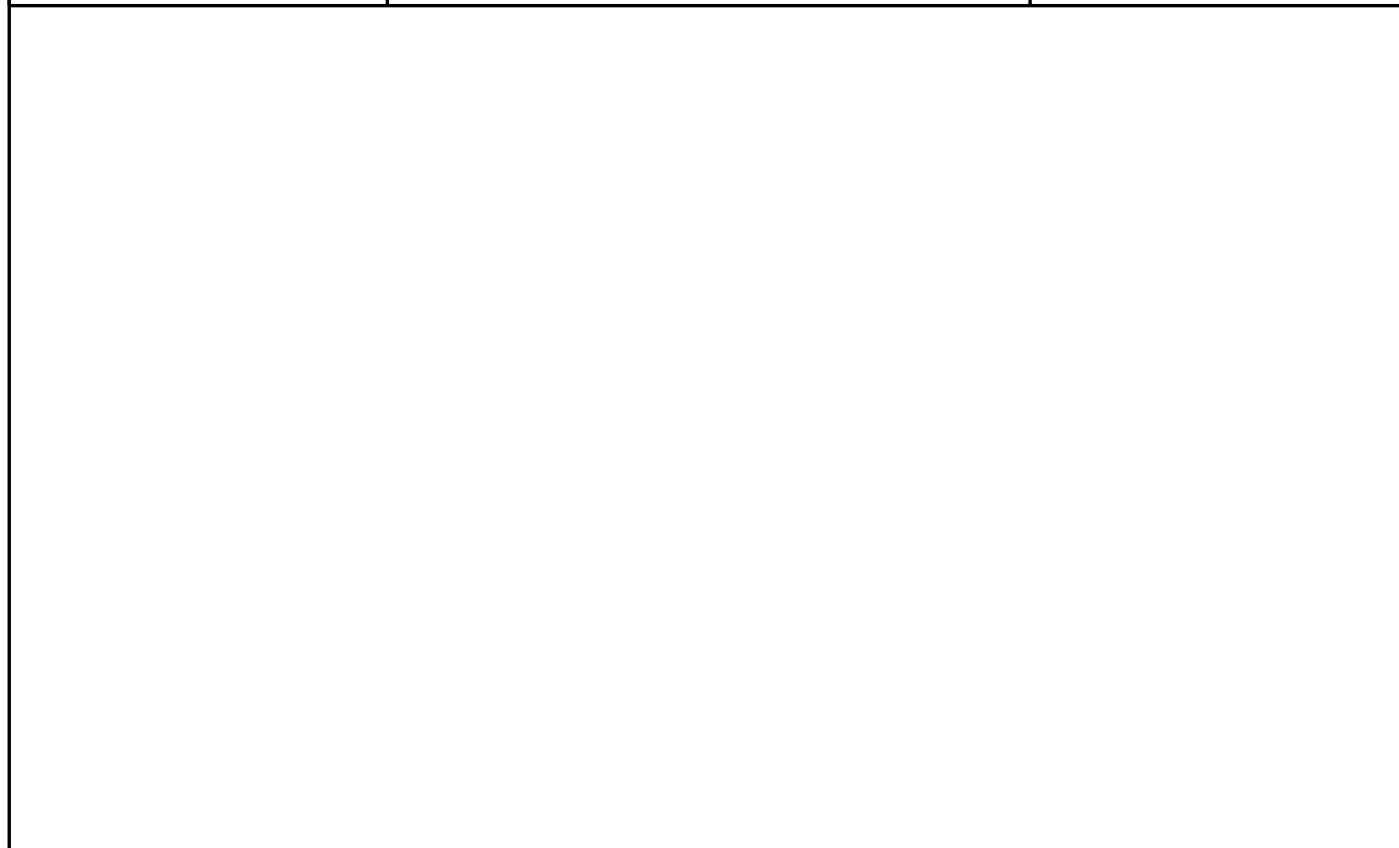
			Objekts:	<b>1400-MD</b>	
--	--	--	----------	----------------	--

Izstrād.				Pasūtītājs:			
MKD pr.vad.				<b>Montāžas shēma</b> <b>Detāļu saraksts</b>		Stadija	MKD
Pārbaud.						Lapa	Lapas
Apstipr.						15	32

Tekla structures

**Detāļu saraksts**

<i>n/n</i>	<i>Detāļas poz.</i>	<i>Daudzums, gab.</i>	<i>Profils</i>	<i>Garums, mm</i>	<i>Svars, kg</i>	<i>Kopējais svars, kg</i>	<i>Tērauda marka</i>	<i>Piezīmes</i>	
233	St-03	8	HEM360	1635	417.2	3337.2	S355J2		
234	St-04	4	HEM360	1607	410.1	1640.5	S355J2		
235	St-05	4	HEM360	4069	1038.3	4153.4	S355J2		
236	St-06	4	HEM360	4109	1048.5	4194.1	S355J2		
237	St-07	1	HEM360	1412	360.4	360.4	S355J2		
238	St-08	3	HEM360	2956	754.5	2263.5	S355J2		
239	St-09	4	HEM360	1431	365.1	1460.4	S355J2		
240	St-010	2	HEM360	2853	728.1	1456.1	S355J2		
241	St-011	1	HEM360	3056	779.8	779.8	S355J2		
242	Wh-1	6	PL5*120	2583	12.4	74.4	S355J2		
243	Wh-3	5	PL5*120	2385	11.4	57.2	S355J2		
244	Wh-4	6	PL5*120	2565	12.3	73.9	S355J2		
245	Wh-5	6	PL5*120	1685	8.1	48.5	S355J2		
246	Wh-6	1	PL5*120	2625	12.6	12.6	S355J2		
		<b>2437</b>	<b>257531.3</b>						



			Objekts:	<b>1400-MD</b>			
Izstrād.			Pasūtītājs:	<b>Montāžas shēma</b> <b>Detāļu saraksts</b>			
MKD pr.vad.						Stadija	MKD
Pārbaud.						Lapa	Lapas
Apstipr.						16	32

## Materiālu saraksts

n/n	Profils	Tērauda marka	Standarts	Kopējais svars, kg	Kopējais garums, m	Kopējais lokšņu laukums, m <sup>2</sup>	Kopējais krāsošanas laukums, m <sup>2</sup>	
1	HEA160	S355J2	DIN 1025	512.1	16.51		14.96	
2	HEB200	S355J2	DIN 1025	6596.7	105.61		121.56	
3	HEB360	S355J2	DIN 1025	13672.2	94.63		174.97	
4	HEM360	S355J2	DIN 1025	29189.9	114.38		220.75	
5	IPE240	S355J2	DIN 1025	1672.5	53.48		49.31	
6	IPE360	S355J2	DIN 1025	1044.6	17.96		24.30	
7	L100*12	S355J2	EN 10056	32.7	1.80		0.70	
8	t2	S355J2	EN 10025	468.3		33.94	59.47	
9	t4	S355J2	EN 10025	1807.4		65.88	116.65	
10	t5	S355J2	EN 10025	497.2		12.46	26.25	
11	t6	S355J2	EN 10025	8507.4		177.44	361.63	
12	t8	S355J2	EN 10025	108.2		1.69	3.59	
13	t10	S355J2	EN 10025	31375.1		392.23	811.18	
14	t12	S355J2	EN 10025	11171.7		127.22	241.06	
15	t15	S355J2	EN 10025	29037.6		248.17	498.85	
16	t20	S355J2	EN 10025	121634.0		777.12	1589.79	
17	t25	S355J2	EN 10025	203.7		1.03	2.55	
Kopā:				257531.3				
Metinājumu šuve 1%				2575.3				
<b>KOPĀ:</b>				<b>260106.6</b>			<b>4317.57</b>	
				Objekts:		<b>1400-MD</b>		
				Pasūtītājs:				
Izstrād.				<b>Montāžas shēma</b> <b>Materiālu saraksts</b>			Stadija	MKD
MKD pr.vad.							Lapa	Lapas
Pārbaud.							17	32
Apstipr.								

Metīzu saraksts								
Diametrs un garums	Paketes bliezums, mm	Vitnes garums, mm	Daudzums, gab	Svars, kg	Standarts	Izturības klase	Piezīmes	
<b>Skruve (SB komplekts - LVS EN 15048-1:2007)</b>								
M16x50	20	38	24	2.6	4014	8.8	SB	
M16x220 120/100			18	5.2	HILTI HST3	5.8		
M20x55	18	55	18	3.3	4014	8.8	SB	
M20x60	24	60	18	3.5	4014	8.8	SB	
M20x65	30	46	24	5.5	4014	8.8	SB	
M20x200/60			8	3.8	HILTI HST3	5.8		
M30x80	27	80	18	11.5	4014	8.8	SB	
M30x100	46	66	18	13.8	4014	8.8	SB	
<b>Uzgrieznis</b>								
M16			18	0.6	934_HILTI	5		
M16			24	0.9	4032	8	SB kompl.	
M20			8	0.5	934_HILTI	5		
M20			60	4.3	4032	8	SB kompl.	
M30			36	8.0	4032	8	SB kompl.	
<b>Paplāksne</b>								
M16			18	0.20	126_HILTI			
M16			48	0.54	7089	300 HV		
M20			8	0.14	126_HILTI			
M20			120	2.06	7089	300 HV		
M30			72	4.83	7089	300 HV		
<b>Stud</b>								
SD1 M19x75			189	47.6	EN ISO 13918			
<b>Papildu elementi</b>								
STUD	M39, L=180		3	5.1	ARJ32K-180	8.8	HDG, Anstar kompl.	
STUD	M30, L=630		240	841.0	DIN 976	8.8		
STUD	M30, L=700		24	93.4	DIN 976	8.8		
STUD	M30, L=760		328	1386.6	DIN 976	8.8		
STUD	M30, L=860		32	153.1	DIN 976	8.8		
NUT	M30		1248	270.5	4032	8		
NUT	M39		3	1.3	DIN 934	8	HDG, Anstar kompl.	
WASHER	M30		1248	67.6	7089	300 HV		
WASHER	M39		3	0.4	DIN 125	140 HV	HDG, Anstar kompl.	
<b>KOPĀ:</b>				2938.0				
			Objekts:			<b>1400-MD</b>		
Izstrād.			Pasūtītājs:					
MKD pr.vad.			<b>Montāžas shēma Metīzu saraksts</b>				Stadija	MKD
Pārbaud.							Lapa	Lapas
Apstipr.							18	32

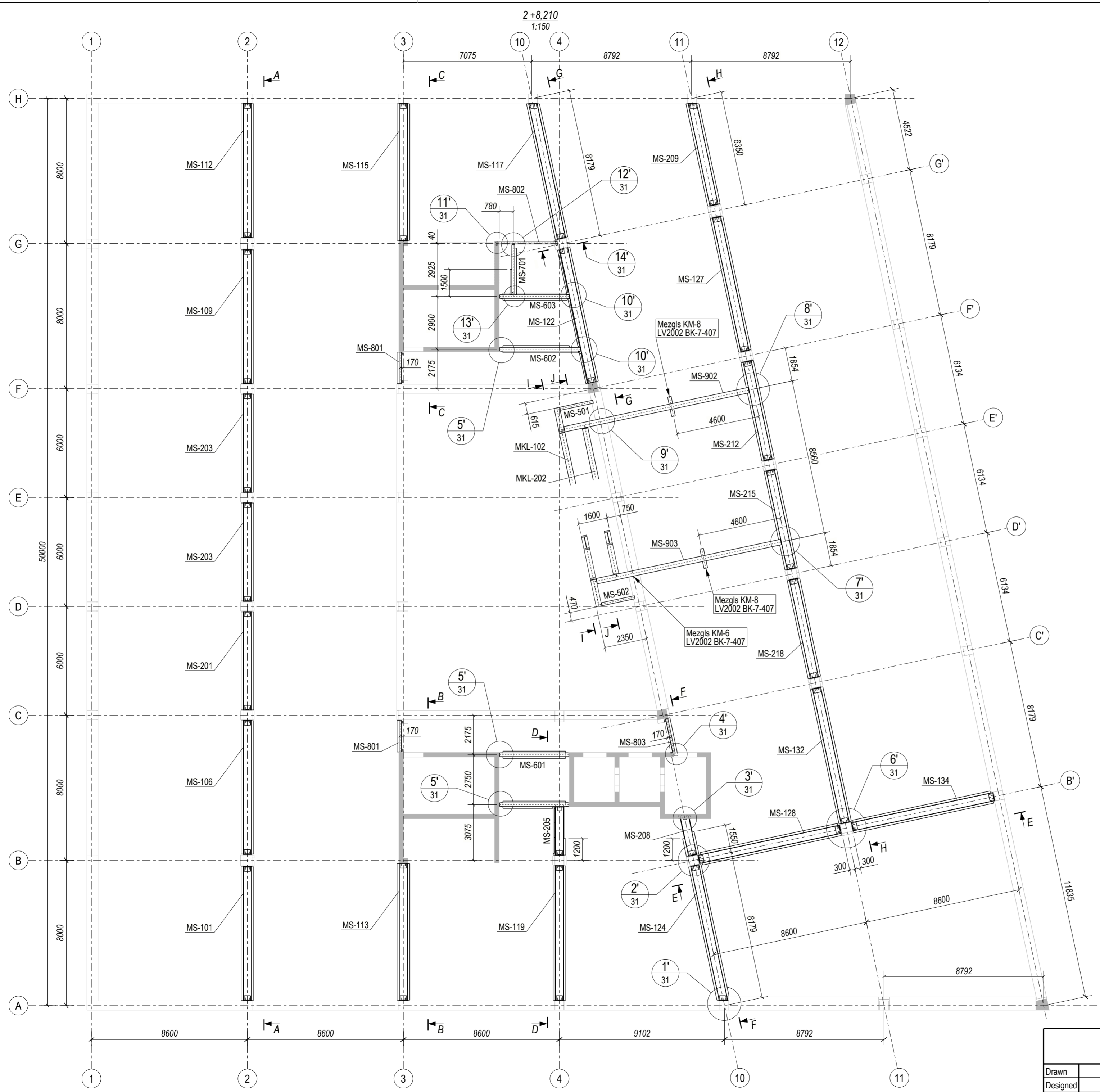


Elementu saraksts							
n/n	Elementa marka	Nosaukums	Skaitls	Izmēriems, mm	Svars, kg	Kopējais svars, kg	Augš. atz., m
1	MD-101	MONT. ELEMENTS	41	t20 x 200 x 200	6.4	262.4	
2	MD-103	MONT. ELEMENTS	1	t25 x 200 x 200	8.0	8.0	
3	MKL-101	STRINGER	1	4530 x 550 x 11408	3449.5	3449.5	+4.400
4	MKL-201	STRINGER	1	4518 x 550 x 10143	3093.6	3093.6	+4.388
5	MS-101	WQ-SIJA	1	360 x 700 x 7390	1786.2	1786.2	+4.350
6	MS-106	WQ-SIJA	1	360 x 700 x 7390	1786.2	1786.2	+4.350
7	MS-109	WQ-SIJA	1	360 x 700 x 7390	1786.2	1786.2	+4.350
8	MS-112	WQ-SIJA	1	360 x 700 x 7390	1786.2	1786.2	+4.350
9	MS-113	WQ-SIJA	1	360 x 700 x 7565	1823.9	1823.9	+4.350
10	MS-114	WQ-SIJA	1	360 x 700 x 7565	1823.8	1823.8	+4.350
11	MS-117	WQ-SIJA	1	360 x 700 x 7666	1839.4	1839.4	+4.350
12	MS-119	WQ-SIJA	1	360 x 700 x 7440	1798.1	1798.1	+4.350
13	MS-122	WQ-SIJA	1	360 x 725 x 7560	1914.3	1914.3	+4.350
14	MS-123	WQ-SIJA	1	360 x 700 x 7666	1837.1	1837.1	+4.350
15	MS-127	WQ-SIJA	1	360 x 700 x 7569	1828.5	1828.5	+4.350
16	MS-132	WQ-SIJA	1	360 x 700 x 7619	1840.3	1840.3	+4.350
17	MS-201	WQ-SIJA	1	360 x 700 x 5440	908.1	908.1	+4.350
18	MS-203	WQ-SIJA	2	360 x 700 x 5440	908.1	1816.2	+4.350
19	MS-205	WQ-SIJA	1	360 x 3815 x 2995	858.0	858.0	+4.350
20	MS-208	WQ-SIJA	1	360 x 700 x 2314	367.1	367.1	+4.350
21	MS-209	WQ-SIJA	1	360 x 700 x 5788	955.7	955.7	+4.350
22	MS-212	WQ-SIJA	1	360 x 700 x 5574	934.9	934.9	+4.350
23	MS-215	WQ-SIJA	1	360 x 700 x 5574	934.9	934.9	+4.350
24	MS-218	WQ-SIJA	1	360 x 700 x 5574	929.4	929.4	+4.350
25	MS-401	WQ-SIJA	1	360 x 700 x 7990	1261.6	1261.6	+4.350
26	MS-402	WQ-SIJA	1	360 x 600 x 7990	1216.6	1216.6	+4.350
27	MS-501	SIJA	1	360 x 208 x 1996	120.9	120.9	+4.390
28	MS-502	SIJA	1	360 x 208 x 1996	120.9	120.9	+4.390
29	MS-601	SIJA	1	215 x 400 x 3815	411.7	411.7	+4.350
30	MS-602	SIJA	1	215 x 400 x 4469	479.0	479.0	+4.350
31	MS-603	SIJA	1	215 x 400 x 3853	411.9	411.9	+4.350
32	MS-701	SIJA	1	195 x 360 x 2927	185.9	185.9	+4.315
33	MS-801	SIJA	2	275 x 340 x 1740	115.1	230.2	+4.265
34	MS-802	SIJA	1	290 x 310 x 3454	116.6	116.6	+4.280
35	MS-803	SIJA	1	275 x 340 x 2122	137.5	137.5	+4.265
36	MS-901	SIJA	1	560 x 1100 x 10515	1631.7	1631.7	+4.390
37	MS-903	SIJA	1	560 x 1100 x 10515	1631.7	1631.7	+4.390
TOTAL:			79			44324.3	

Drawn				Object:				1400-MD	
Designed				Customer:				Stage MKD	
Checked				Montāžas shēma.				Page Pages	
Approved				Plāna skats.				19 32	
				1 stāvs. +4.350				Format: A2	

Tekļa struktūras



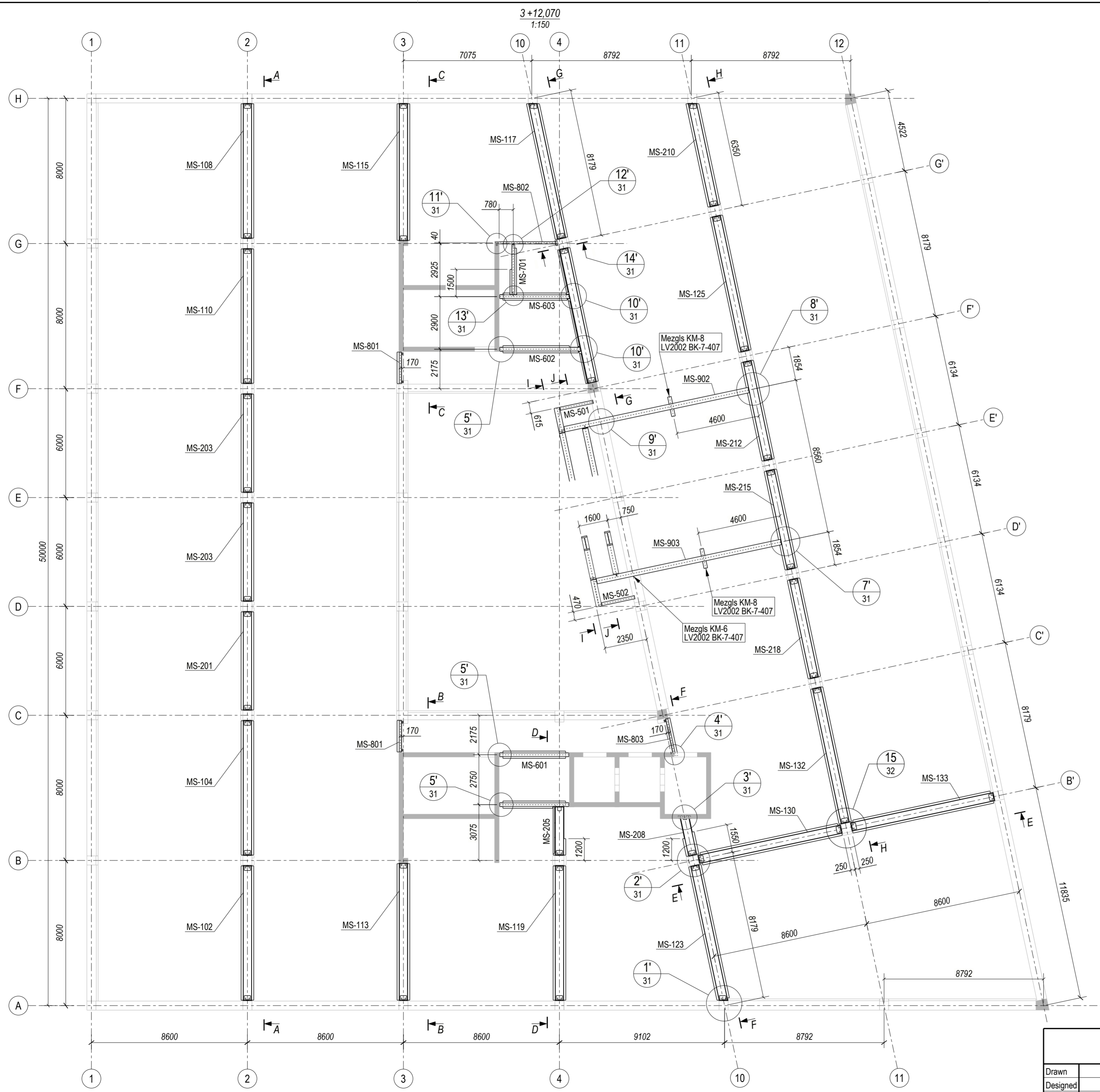


Elementu saraksts							
n/n	Elementa marka	Nosaukums	Skaitis	Izmēriems, mm	Svars, kg	Kopējais svars, kg	Augš. atz., m
1	MD-101	MONT. ELEMENTS	41	t20 x 200 x 200	6.4	262.4	
2	MD-103	MONT. ELEMENTS	1	t25 x 200 x 200	8.0	8.0	
3	MKL-102	STRINGER	1	4255 x 308 x 11183	3280.5	3280.5	+8.260
4	MKL-202	STRINGER	1	4250 x 308 x 8507	2529.0	2529.0	+8.247
5	MS-101	WQ-SIJA	1	360 x 700 x 7390	1786.3	1786.3	+8.210
6	MS-106	WQ-SIJA	1	360 x 700 x 7390	1786.3	1786.3	+8.210
7	MS-109	WQ-SIJA	1	360 x 700 x 7390	1786.3	1786.3	+8.210
8	MS-112	WQ-SIJA	1	360 x 700 x 7390	1786.2	1786.2	+8.210
9	MS-113	WQ-SIJA	1	360 x 700 x 7565	1823.9	1823.9	+8.210
10	MS-115	WQ-SIJA	1	360 x 700 x 7565	1823.8	1823.8	+8.210
11	MS-117	WQ-SIJA	1	360 x 700 x 7666	1839.4	1839.4	+8.210
12	MS-119	WQ-SIJA	1	360 x 700 x 7440	1798.1	1798.1	+8.210
13	MS-122	WQ-SIJA	1	360 x 725 x 7560	1914.3	1914.3	+8.210
14	MS-124	WQ-SIJA	1	360 x 700 x 7666	1835.4	1835.4	+8.210
15	MS-127	WQ-SIJA	1	360 x 700 x 7569	1828.5	1828.5	+8.210
16	MS-128	WQ-SIJA	1	360 x 700 x 7990	1922.2	1922.2	+8.210
17	MS-132	WQ-SIJA	1	360 x 700 x 7619	1840.3	1840.3	+8.210
18	MS-134	WQ-SIJA	1	360 x 700 x 7990	1923.4	1923.4	+8.210
19	MS-201	WQ-SIJA	1	360 x 700 x 5440	908.1	908.1	+8.210
20	MS-203	WQ-SIJA	2	360 x 700 x 5440	908.1	1816.2	+8.210
21	MS-205	WQ-SIJA	1	360 x 3815 x 2995	858.0	858.0	+8.210
22	MS-208	WQ-SIJA	1	360 x 700 x 2314	367.1	367.1	+8.210
23	MS-209	WQ-SIJA	1	360 x 700 x 5788	955.7	955.7	+8.210
24	MS-212	WQ-SIJA	1	360 x 700 x 5574	934.9	934.9	+8.210
25	MS-215	WQ-SIJA	1	360 x 700 x 5574	934.9	934.9	+8.210
26	MS-218	WQ-SIJA	1	360 x 700 x 5574	929.4	929.4	+8.210
27	MS-501	SIJA	1	360 x 208 x 1996	120.9	120.9	+8.250
28	MS-502	SIJA	1	360 x 208 x 1996	120.9	120.9	+8.250
29	MS-601	SIJA	1	215 x 400 x 3815	411.7	411.7	+8.210
30	MS-602	SIJA	1	215 x 400 x 4469	479.0	479.0	+8.210
31	MS-603	SIJA	1	215 x 400 x 3853	411.9	411.9	+8.210
32	MS-701	SIJA	1	195 x 360 x 2927	185.8	185.8	+8.175
33	MS-801	SIJA	2	275 x 340 x 1740	115.1	230.2	+8.125
34	MS-802	SIJA	1	290 x 310 x 3454	116.6	116.6	+8.140
35	MS-803	SIJA	1	275 x 340 x 2122	137.5	137.5	+8.125
36	MS-902	SIJA	1	560 x 1100 x 10515	1631.7	1631.7	+8.250
37	MS-903	SIJA	1	560 x 1100 x 10515	1631.7	1631.7	+8.250
TOTAL:			79			44956.4	

Drawn				Object:				1400-MD	
Designed				Customer:				Stage MKD	
Checked				Montāžas shēma.				Page Pages	
Approved				Plāna skats.				20 32	
				2 stāvs. +8.210				Format: A2	

Tekla structures



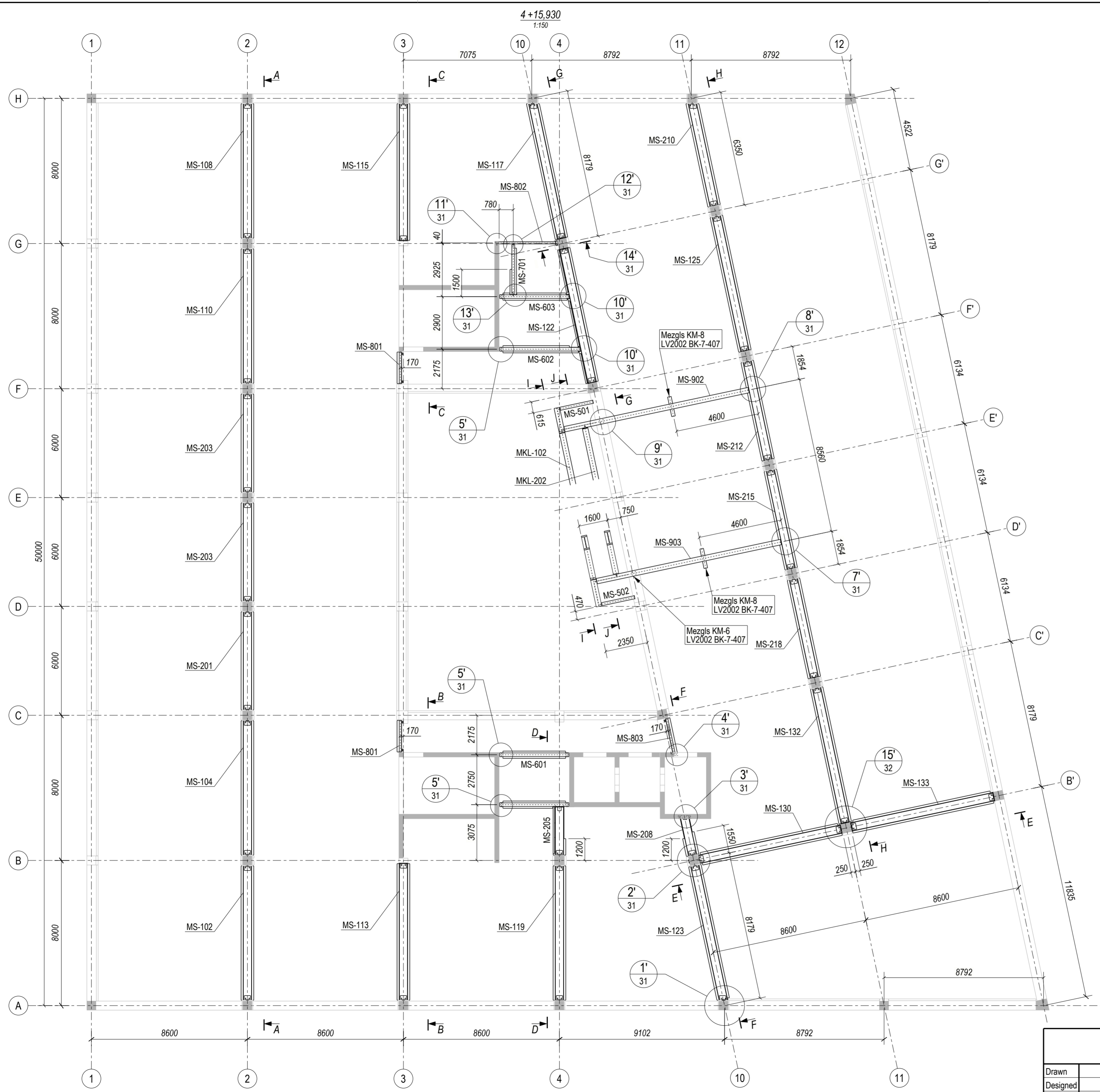


Elementu saraksts

n/n	Elementa marka	Nosaukums	Skaitis	Izmēriems, mm	Svars, kg	Kopējais svars, kg	Augst. atz., m	Apakš. atz., m
1	MD-101	MONT. ELEMENTS	41	t20 x 200 x 200	6.4	262.4		
2	MD-103	MONT. ELEMENTS	1	t25 x 200 x 200	8.0	8.0		
3	MKL-102	STRINGER	1	4255 x 308 x 11183	3280.5	3280.5	+12.120	+7.865
4	MKL-202	STRINGER	1	4250 x 308 x 8507	2529.1	2529.1	+12.107	+7.857
5	MS-102	WQ-SIJA	1	360 x 700 x 7440	1798.1	1798.1	+12.070	+11.710
6	MS-104	WQ-SIJA	1	360 x 700 x 7440	1798.1	1798.1	+12.070	+11.710
7	MS-108	WQ-SIJA	1	360 x 700 x 7440	1798.1	1798.1	+12.070	+11.710
8	MS-110	WQ-SIJA	1	360 x 700 x 7440	1798.1	1798.1	+12.070	+11.710
9	MS-113	WQ-SIJA	1	360 x 700 x 7565	1823.9	1823.9	+12.070	+11.710
10	MS-115	WQ-SIJA	1	360 x 700 x 7565	1823.8	1823.8	+12.070	+11.710
11	MS-117	WQ-SIJA	1	360 x 700 x 7666	1839.4	1839.4	+12.070	+11.710
12	MS-119	WQ-SIJA	1	360 x 700 x 7440	1798.0	1798.0	+12.070	+11.710
13	MS-122	WQ-SIJA	1	360 x 725 x 7560	1914.3	1914.3	+12.070	+11.710
14	MS-123	WQ-SIJA	1	360 x 700 x 7666	1837.1	1837.1	+12.070	+11.710
15	MS-125	WQ-SIJA	1	360 x 700 x 7619	1840.3	1840.3	+12.070	+11.710
16	MS-130	WQ-SIJA	1	360 x 700 x 8040	1933.2	1933.2	+12.070	+11.710
17	MS-132	WQ-SIJA	1	360 x 700 x 7619	1840.3	1840.3	+12.070	+11.710
18	MS-133	WQ-SIJA	1	360 x 700 x 8040	1934.4	1934.4	+12.070	+11.710
19	MS-201	WQ-SIJA	1	360 x 700 x 5440	908.1	908.1	+12.070	+11.710
20	MS-203	WQ-SIJA	2	360 x 700 x 5440	908.1	1816.2	+12.070	+11.710
21	MS-205	WQ-SIJA	1	360 x 3815 x 2995	858.0	858.0	+12.070	+11.710
22	MS-208	WQ-SIJA	1	360 x 700 x 2314	367.1	367.1	+12.070	+11.710
23	MS-210	WQ-SIJA	1	360 x 700 x 5838	963.7	963.7	+12.070	+11.710
24	MS-212	WQ-SIJA	1	360 x 700 x 5574	934.9	934.9	+12.070	+11.710
25	MS-215	WQ-SIJA	1	360 x 700 x 5574	934.9	934.9	+12.070	+11.710
26	MS-218	WQ-SIJA	1	360 x 700 x 5574	929.4	929.4	+12.070	+11.710
27	MS-501	SIJA	1	360 x 208 x 1996	120.9	120.9	+12.110	+11.750
28	MS-502	SIJA	1	360 x 208 x 1996	120.9	120.9	+12.110	+11.750
29	MS-601	SIJA	1	215 x 400 x 3815	411.7	411.7	+12.070	+11.855
30	MS-602	SIJA	1	215 x 400 x 4469	479.0	479.0	+12.070	+11.855
31	MS-603	SIJA	1	215 x 400 x 3853	411.9	411.9	+12.070	+11.855
32	MS-701	SIJA	1	195 x 360 x 2927	185.8	185.8	+12.035	+11.840
33	MS-801	SIJA	2	275 x 340 x 1740	115.1	230.2	+11.985	+11.710
34	MS-802	SIJA	1	290 x 310 x 3454	116.6	116.6	+12.000	+11.710
35	MS-803	SIJA	1	275 x 340 x 2122	137.5	137.5	+11.985	+11.710
36	MS-902	SIJA	1	560 x 1100 x 10515	1631.7	1631.7	+12.110	+11.550
37	MS-903	SIJA	1	560 x 1100 x 10515	1631.7	1631.7	+12.110	+11.550
TOTAL:			79			45047.1		

Drawn				Object:				1400-MD	
Designed				Customer:				Stage MKD	
Checked				Montāžas shēma.				Page Pages	
Approved				Plāna skats.				21 32	
				3 stāvs. +12.070				Format: A2	

Tekla structures

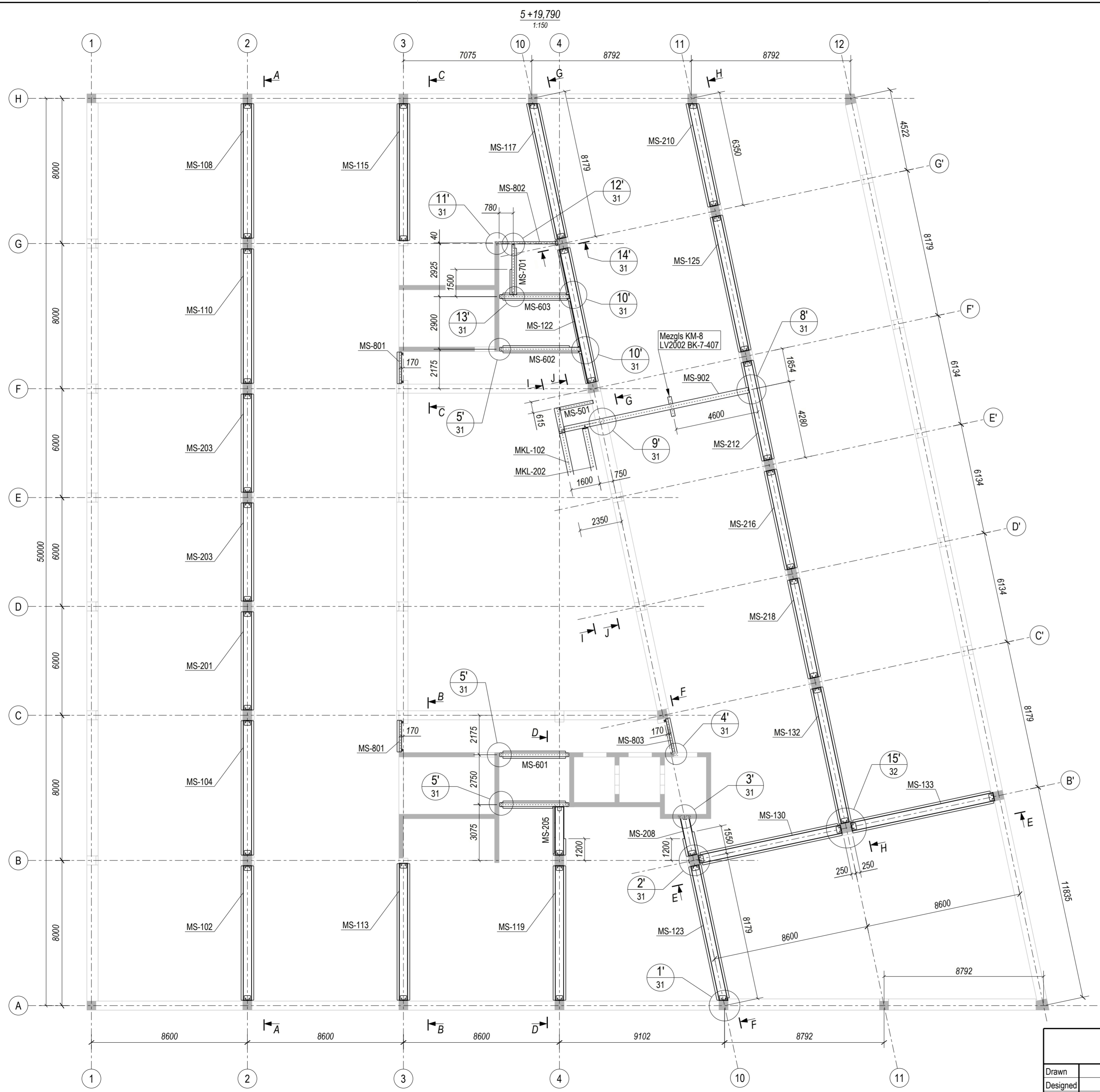


Elementu saraksts							
n/n	Elementa marka	Nosaukums	Skaitis	Izmēriems, mm	Svars, kg	Kopējais svars, kg	Augst. atz., m
1	MD-101	MONT. ELEMENTS	41	t20 x 200 x 200	6.4	262.4	
2	MD-103	MONT. ELEMENTS	1	t25 x 200 x 200	8.0	8.0	
3	MKL-102	STRINGER	1	4255 x 308 x 11183	3280.5	3280.5	+15.980
4	MKL-202	STRINGER	1	4250 x 308 x 8507	2529.1	2529.1	+15.967
5	MS-102	WQ-SIJA	1	360 x 700 x 7440	1798.1	1798.1	+15.930
6	MS-104	WQ-SIJA	1	360 x 700 x 7440	1798.1	1798.1	+15.930
7	MS-108	WQ-SIJA	1	360 x 700 x 7440	1798.1	1798.1	+15.930
8	MS-110	WQ-SIJA	1	360 x 700 x 7440	1798.1	1798.1	+15.930
9	MS-113	WQ-SIJA	1	360 x 700 x 7565	1823.9	1823.9	+15.930
10	MS-115	WQ-SIJA	1	360 x 700 x 7565	1823.8	1823.8	+15.930
11	MS-117	WQ-SIJA	1	360 x 700 x 7666	1839.4	1839.4	+15.930
12	MS-119	WQ-SIJA	1	360 x 700 x 7440	1798.0	1798.0	+15.930
13	MS-122	WQ-SIJA	1	360 x 725 x 7560	1914.3	1914.3	+15.930
14	MS-123	WQ-SIJA	1	360 x 700 x 7666	1837.1	1837.1	+15.930
15	MS-125	WQ-SIJA	1	360 x 700 x 7619	1840.3	1840.3	+15.930
16	MS-130	WQ-SIJA	1	360 x 700 x 8040	1933.2	1933.2	+15.930
17	MS-132	WQ-SIJA	1	360 x 700 x 7619	1840.3	1840.3	+15.930
18	MS-133	WQ-SIJA	1	360 x 700 x 8040	1934.4	1934.4	+15.930
19	MS-201	WQ-SIJA	1	360 x 700 x 5440	908.1	908.1	+15.930
20	MS-203	WQ-SIJA	2	360 x 700 x 5440	908.1	1816.2	+15.930
21	MS-205	WQ-SIJA	1	360 x 3815 x 2995	858.0	858.0	+15.930
22	MS-208	WQ-SIJA	1	360 x 700 x 2314	367.1	367.1	+15.930
23	MS-210	WQ-SIJA	1	360 x 700 x 5838	963.7	963.7	+15.930
24	MS-212	WQ-SIJA	1	360 x 700 x 5574	934.9	934.9	+15.930
25	MS-215	WQ-SIJA	1	360 x 700 x 5574	934.9	934.9	+15.930
26	MS-218	WQ-SIJA	1	360 x 700 x 5574	929.4	929.4	+15.930
27	MS-501	SIJA	1	360 x 208 x 1996	120.9	120.9	+15.970
28	MS-502	SIJA	1	360 x 208 x 1996	120.9	120.9	+15.970
29	MS-601	SIJA	1	215 x 400 x 3815	411.7	411.7	+15.930
30	MS-602	SIJA	1	215 x 400 x 4469	479.0	479.0	+15.930
31	MS-603	SIJA	1	215 x 400 x 3853	411.9	411.9	+15.930
32	MS-701	SIJA	1	195 x 360 x 2927	185.8	185.8	+15.895
33	MS-801	SIJA	2	275 x 340 x 1740	115.1	230.2	+15.845
34	MS-802	SIJA	1	290 x 310 x 3454	116.6	116.6	+15.860
35	MS-803	SIJA	1	275 x 340 x 2122	137.5	137.5	+15.845
36	MS-902	SIJA	1	560 x 1100 x 10515	1631.7	1631.7	+15.970
37	MS-903	SIJA	1	560 x 1100 x 10515	1631.7	1631.7	+15.970
TOTAL:			79			45047.2	

Drawn				Object:				1400-MD	
Designed				Customer:				Stage MKD	
Checked				Montāžas shēma. Plāna skats. 4 stāvs. +15.930				Page Pages	
Approved								22 32	
Format: A2									

Tekla structures

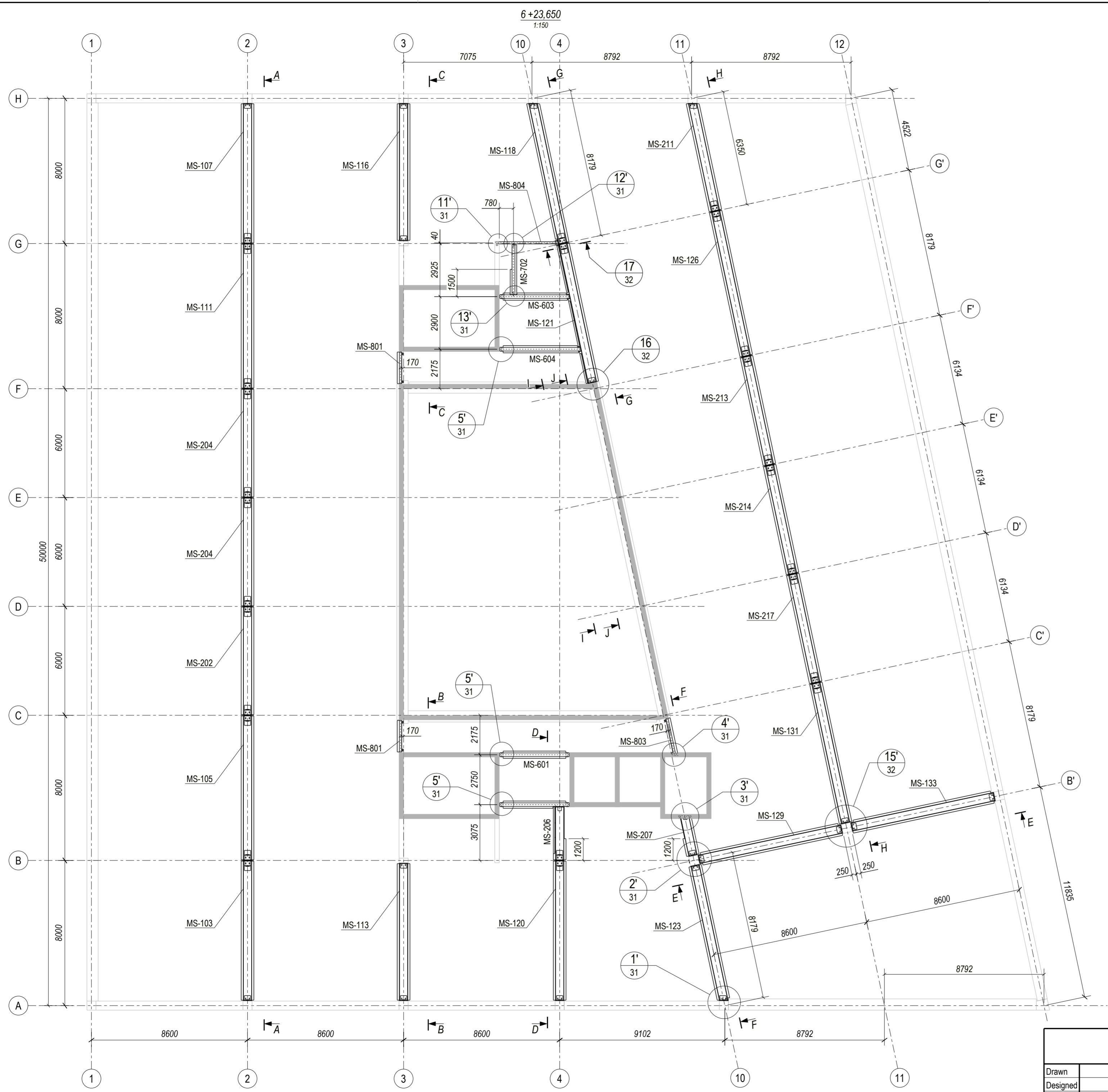




Elementu saraksts							
n/n	Elementa marka	Nosaukums	Skaitls	Izmēriems, mm	Svars, kg	Kopējais svars, kg	Augš. atz., m
1	MD-101	MONT. ELEMENTS	41	t20 x 200 x 200	6.4	262.4	
2	MD-103	MONT. ELEMENTS	1	t25 x 200 x 200	8.0	8.0	
3	MKL-102	STRINGER	1	4255 x 308 x 11183	3280.5	3280.5	+19.840
4	MKL-202	STRINGER	1	4250 x 308 x 8507	2529.1	2529.1	+19.827
5	MS-102	WQ-SIJA	1	360 x 700 x 7440	1798.1	1798.1	+19.790
6	MS-104	WQ-SIJA	1	360 x 700 x 7440	1798.1	1798.1	+19.790
7	MS-108	WQ-SIJA	1	360 x 700 x 7440	1798.1	1798.1	+19.790
8	MS-110	WQ-SIJA	1	360 x 700 x 7440	1798.1	1798.1	+19.790
9	MS-113	WQ-SIJA	1	360 x 700 x 7565	1823.9	1823.9	+19.790
10	MS-115	WQ-SIJA	1	360 x 700 x 7565	1823.8	1823.8	+19.790
11	MS-117	WQ-SIJA	1	360 x 700 x 7666	1839.4	1839.4	+19.790
12	MS-119	WQ-SIJA	1	360 x 700 x 7440	1798.0	1798.0	+19.790
13	MS-122	WQ-SIJA	1	360 x 725 x 7560	1914.3	1914.3	+19.790
14	MS-123	WQ-SIJA	1	360 x 700 x 7666	1837.1	1837.1	+19.790
15	MS-125	WQ-SIJA	1	360 x 700 x 7619	1840.3	1840.3	+19.790
16	MS-130	WQ-SIJA	1	360 x 700 x 8040	1933.2	1933.2	+19.790
17	MS-132	WQ-SIJA	1	360 x 700 x 7619	1840.3	1840.3	+19.790
18	MS-133	WQ-SIJA	1	360 x 700 x 8040	1934.4	1934.4	+19.790
19	MS-201	WQ-SIJA	1	360 x 700 x 5440	908.1	908.1	+19.790
20	MS-203	WQ-SIJA	2	360 x 700 x 5440	908.1	1816.2	+19.790
21	MS-205	WQ-SIJA	1	360 x 3815 x 2995	858.0	858.0	+19.790
22	MS-208	WQ-SIJA	1	360 x 700 x 2314	367.1	367.1	+19.790
23	MS-210	WQ-SIJA	1	360 x 700 x 5838	963.7	963.7	+19.790
24	MS-212	WQ-SIJA	1	360 x 700 x 5574	934.9	934.9	+19.790
25	MS-216	WQ-SIJA	1	360 x 700 x 5574	929.4	929.4	+19.790
26	MS-218	WQ-SIJA	1	360 x 700 x 5574	929.4	929.4	+19.790
27	MS-501	SIJA	1	360 x 208 x 1996	120.9	120.9	+19.830
28	MS-601	SIJA	1	215 x 400 x 3815	411.7	411.7	+19.790
29	MS-602	SIJA	1	215 x 400 x 4469	479.0	479.0	+19.790
30	MS-603	SIJA	1	215 x 400 x 3853	411.9	411.9	+19.790
31	MS-701	SIJA	1	195 x 360 x 2927	185.8	185.8	+19.755
32	MS-801	SIJA	2	275 x 340 x 1740	115.1	230.2	+19.705
33	MS-802	SIJA	1	290 x 310 x 3454	116.6	116.6	+19.720
34	MS-803	SIJA	1	275 x 340 x 2122	137.5	137.5	+19.705
35	MS-902	SIJA	1	560 x 1100 x 10515	1631.7	1631.7	+19.830
TOTAL:			77			43289.0	

Object:				1400-MD	
Customer:				Montāžas shēma. Plāna skats. 5 stāvs. +19.790	
Drawn				Stage	MKD
Designed				Page	Pages
Checked				23	32
Approved				Format: A2	

Tekla structures



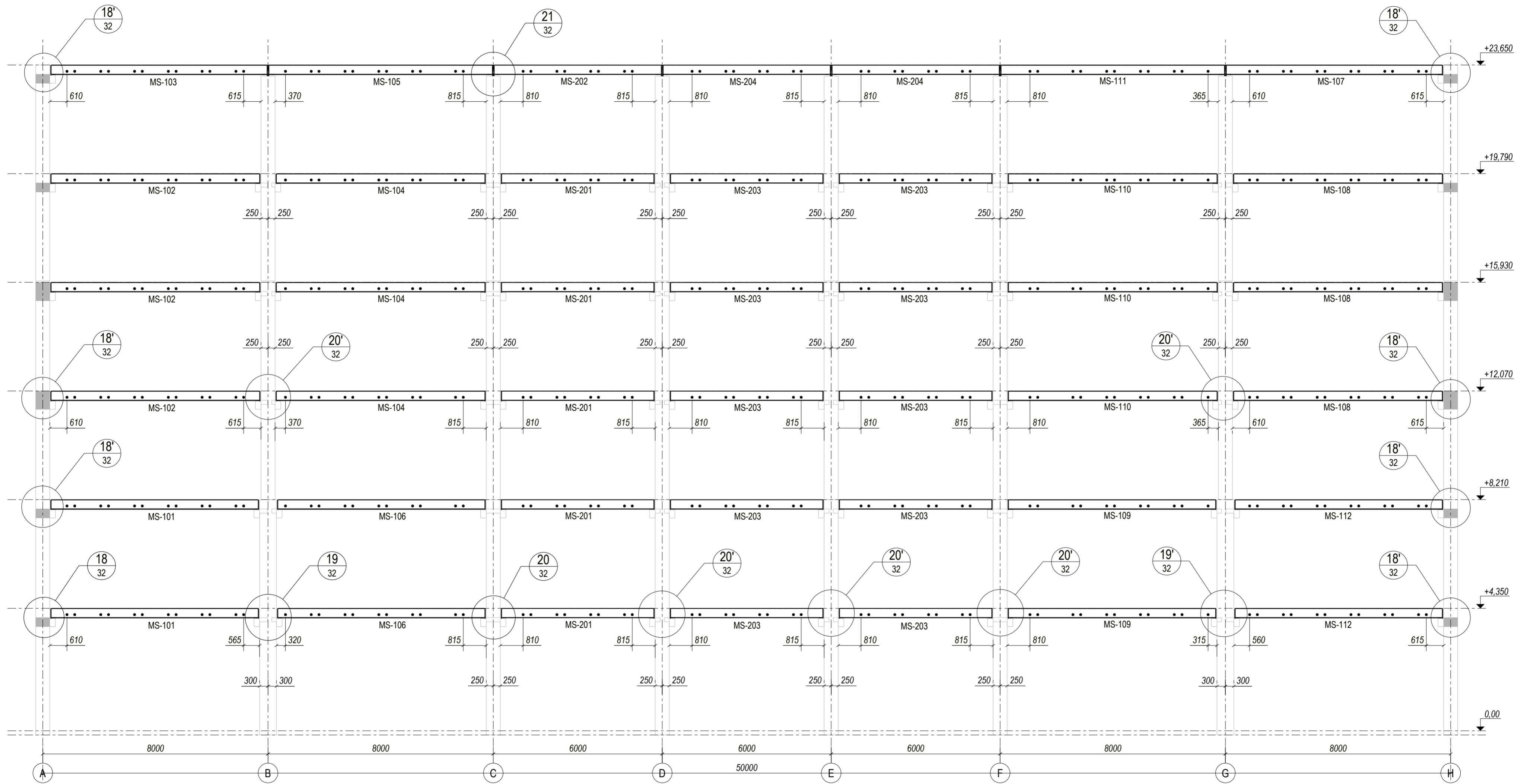
Elementu saraksts

n/n	Elementa marka	Nosaukums	Skaitis	Izmēriems, mm	Svars, kg	Kopējais svars, kg	Augš. atz., m	Apakš. atz., m
1	MD-101	MONT. ELEMENTS	41	t20 x 200 x 200	6.4	262.4		
2	MD-102	MONT. ELEMENTS	1	t20 x 220 x 230	8.1	8.1		
3	MD-103	MONT. ELEMENTS	1	t25 x 200 x 200	8.0	8.0		
4	MS-103	WQ-SIJA	1	395 x 700 x 7705	1870.3	1870.3	+23.650	+23.255
5	MS-105	WQ-SIJA	1	395 x 700 x 7970	1942.5	1942.5	+23.650	+23.255
6	MS-107	WQ-SIJA	1	395 x 700 x 7705	1870.3	1870.3	+23.650	+23.255
7	MS-111	WQ-SIJA	1	395 x 700 x 7970	1942.5	1942.5	+23.650	+23.255
8	MS-113	WQ-SIJA	1	360 x 700 x 7565	1823.9	1823.9	+23.650	+23.290
9	MS-116	WQ-SIJA	1	360 x 700 x 7565	1823.9	1823.9	+23.650	+23.290
10	MS-118	WQ-SIJA	1	395 x 700 x 7930	1906.9	1906.9	+23.650	+23.255
11	MS-120	WQ-SIJA	1	395 x 700 x 7705	1870.2	1870.2	+23.650	+23.255
12	MS-121	WQ-SIJA	1	395 x 725 x 7825	1988.9	1988.9	+23.650	+23.255
13	MS-123	WQ-SIJA	1	360 x 700 x 7666	1837.1	1837.1	+23.650	+23.290
14	MS-126	WQ-SIJA	1	395 x 700 x 8149	1984.7	1984.7	+23.650	+23.255
15	MS-129	WQ-SIJA	1	360 x 700 x 8040	1933.2	1933.2	+23.650	+23.290
16	MS-131	WQ-SIJA	1	395 x 700 x 7884	1912.5	1912.5	+23.650	+23.255
17	MS-133	WQ-SIJA	1	360 x 700 x 8040	1934.4	1934.4	+23.650	+23.290
18	MS-202	WQ-SIJA	1	395 x 700 x 5970	1024.9	1024.9	+23.650	+23.255
19	MS-204	WQ-SIJA	2	395 x 700 x 5970	1024.9	2049.9	+23.650	+23.255
20	MS-206	WQ-SIJA	1	395 x 3815 x 3260	916.4	916.4	+23.650	+23.255
21	MS-207	WQ-SIJA	1	360 x 700 x 2314	376.4	376.4	+23.650	+23.290
22	MS-211	WQ-SIJA	1	395 x 700 x 6103	1022.1	1022.1	+23.650	+23.255
23	MS-213	WQ-SIJA	1	395 x 700 x 6104	1044.3	1044.3	+23.650	+23.255
24	MS-214	WQ-SIJA	1	395 x 700 x 6104	1044.3	1044.3	+23.650	+23.255
25	MS-217	WQ-SIJA	1	395 x 700 x 6104	1046.2	1046.2	+23.650	+23.255
26	MS-601	SIJA	1	215 x 400 x 3815	411.7	411.7	+23.650	+23.435
27	MS-603	SIJA	1	215 x 400 x 3853	411.9	411.9	+23.650	+23.435
28	MS-604	SIJA	1	215 x 400 x 4469	483.7	483.7	+23.650	+23.435
29	MS-702	SIJA	1	195 x 360 x 2927	190.0	190.0	+23.615	+23.420
30	MS-801	SIJA	2	275 x 340 x 1740	115.1	230.2	+23.565	+23.290
31	MS-803	SIJA	1	275 x 340 x 2122	137.5	137.5	+23.565	+23.290
32	MS-804	SIJA	1	325 x 310 x 3454	117.1	117.1	+23.580	+23.255
<b>TOTAL:</b>			<b>74</b>			<b>37426.3</b>		

Drawn				Customer:				1400-MD			
Designed				Customer:							
Checked				Montāžas shēma. Plāna skats. 6 stāvs. +23.650				Stage		MKD	
Approved								Page		Pages	
								24		32	
Format: A2											

Tekla structures

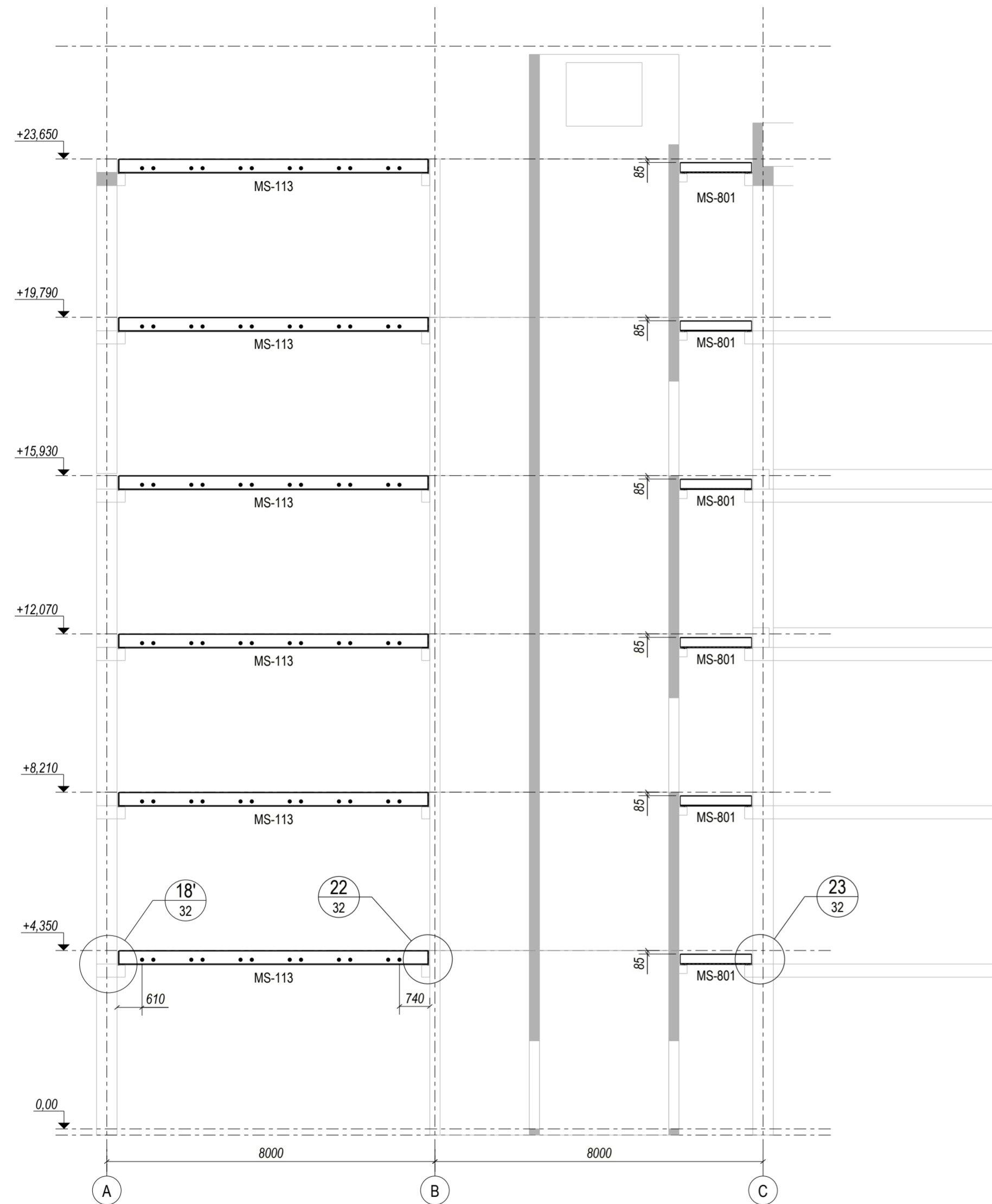
A-A  
1:100 (Ass 2)



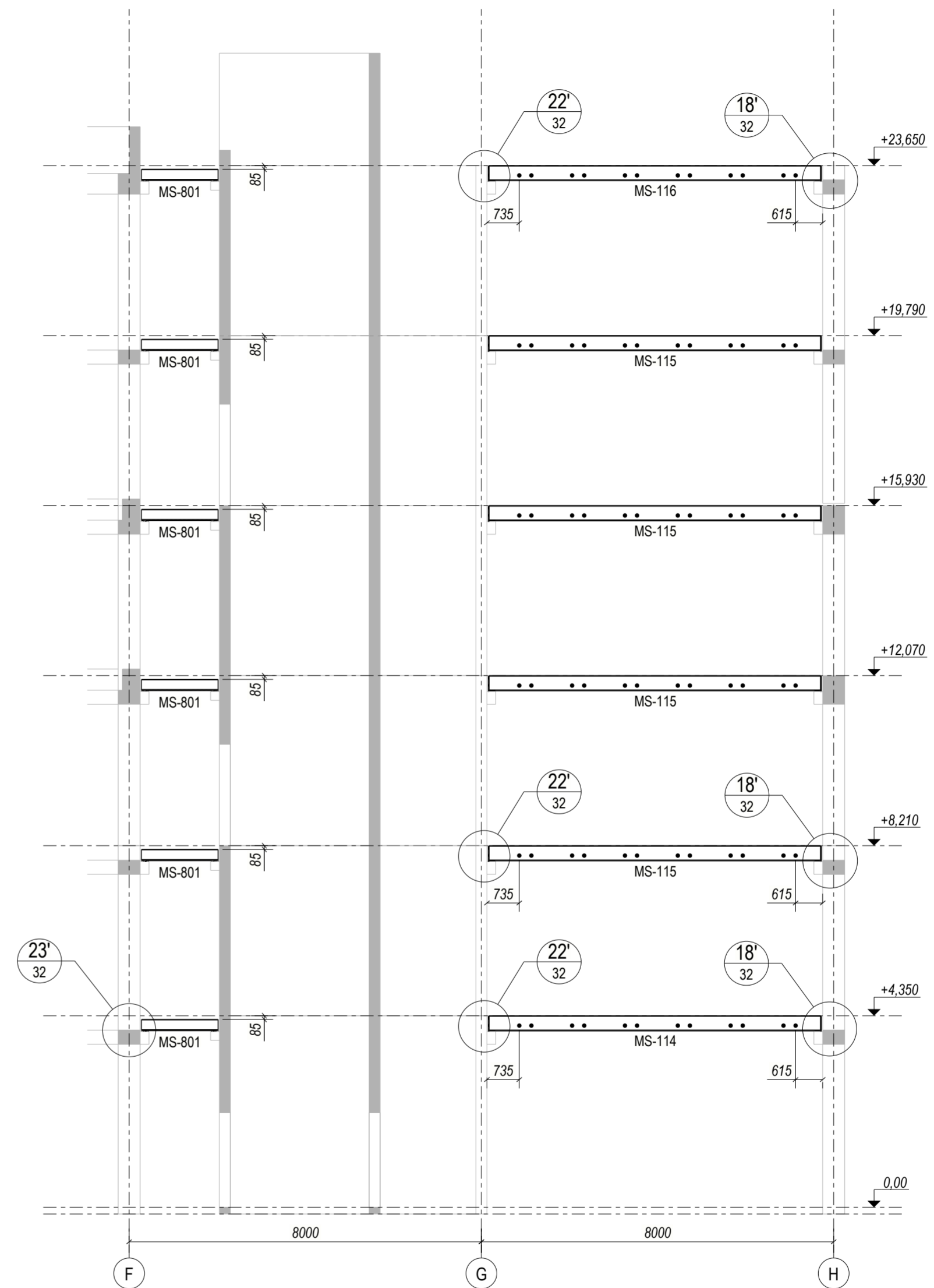
				Objekts:		1400-MD			
Izstrād.				Pasūtītājs:					
MKD pr.vad.				Montāžas shēma. Griezumi A-A					
Pārbaud.								Stadija	MKD
Apstipr.								Lapa	Lapas
				25	32				



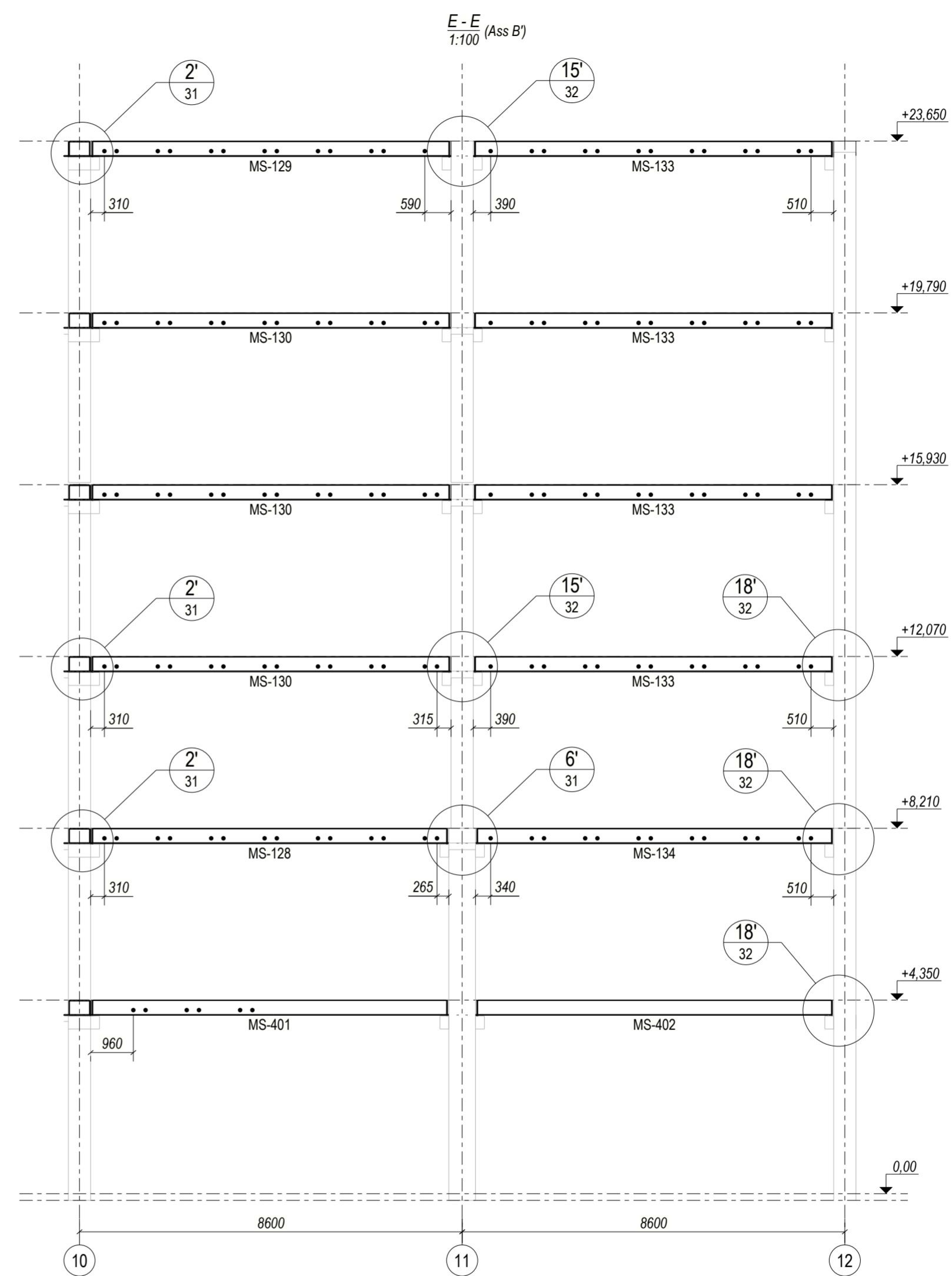
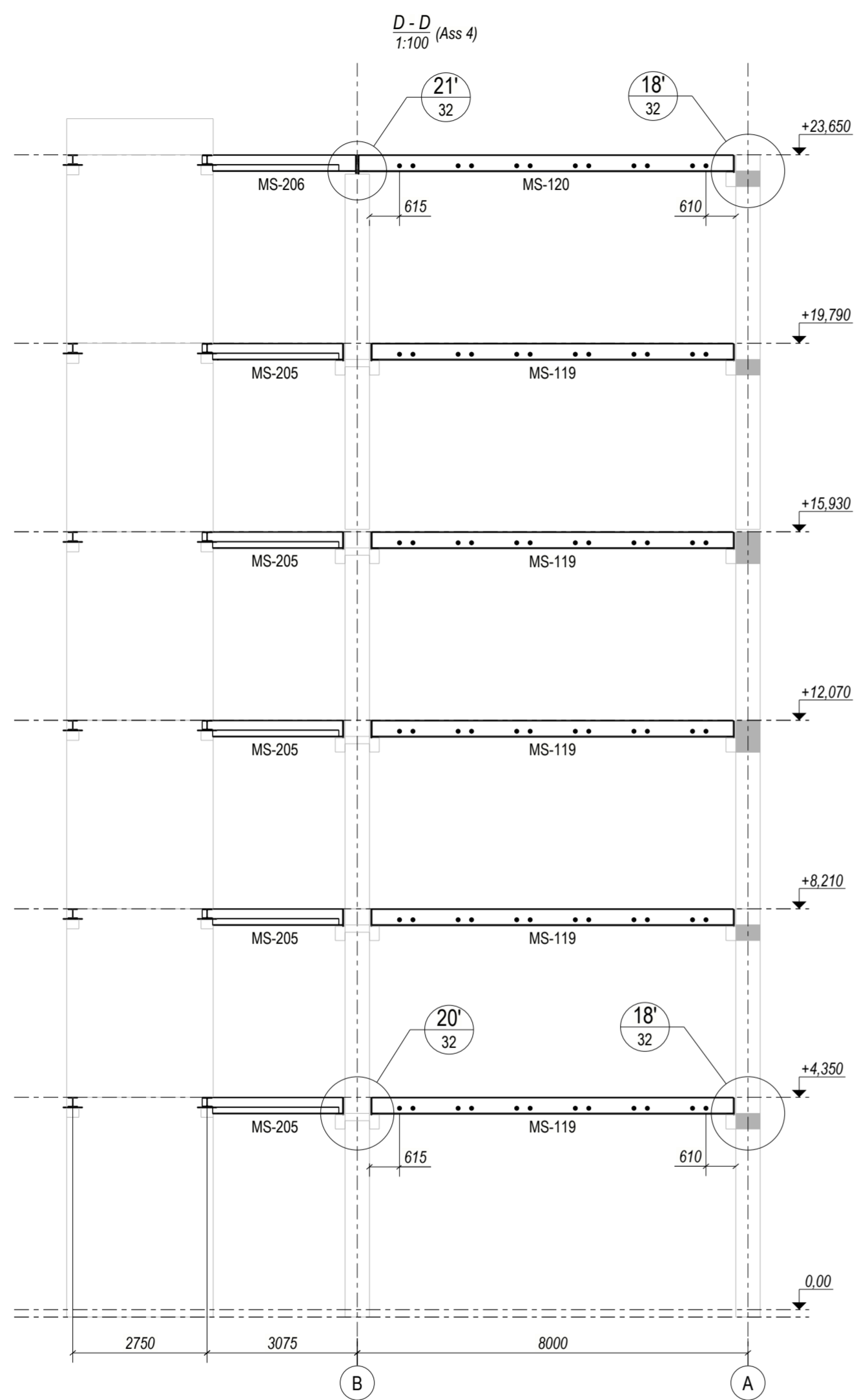
B-B  
1:100 (Ass 3)



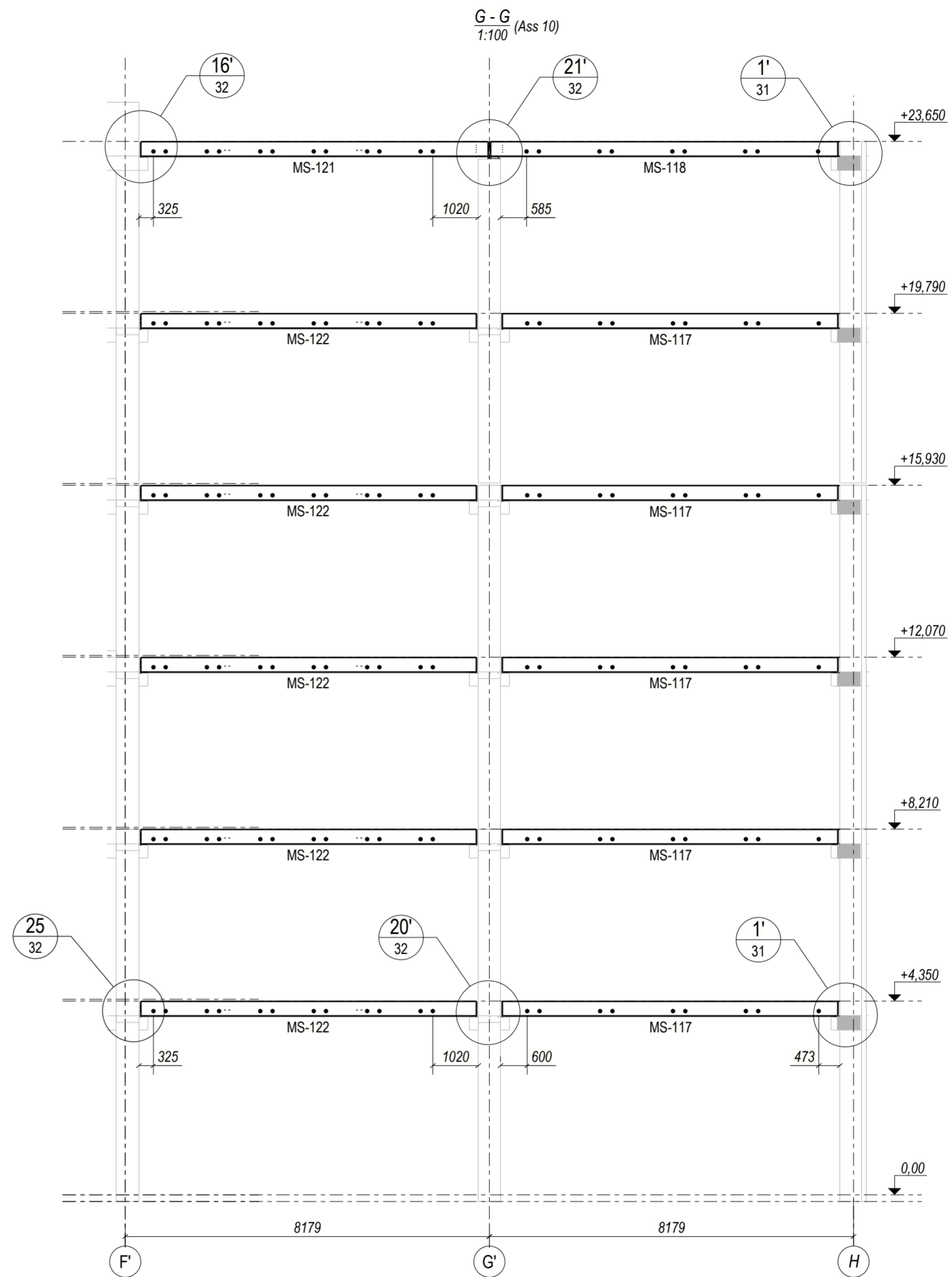
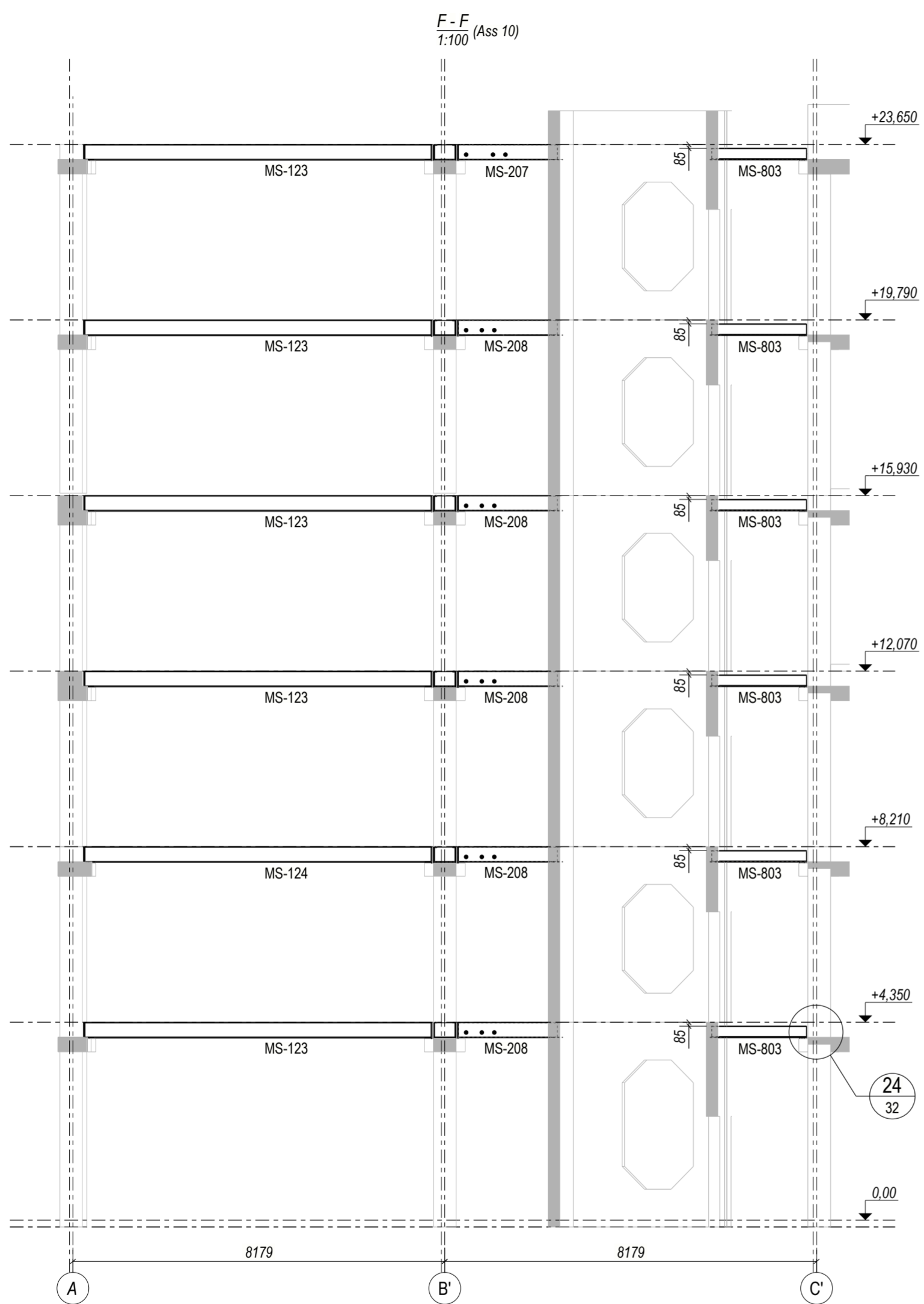
C-C  
1:100 (Ass 3)



				Objekts:	1400-MD	
Izstrād.				Pasūtītājs:		
MKD pr.vad.				Montāžas shēma. Griezumš B-B, C-C	Stadija	MKD
Pārbaud.					Lapa	Lapas
Apstipr.					26	32



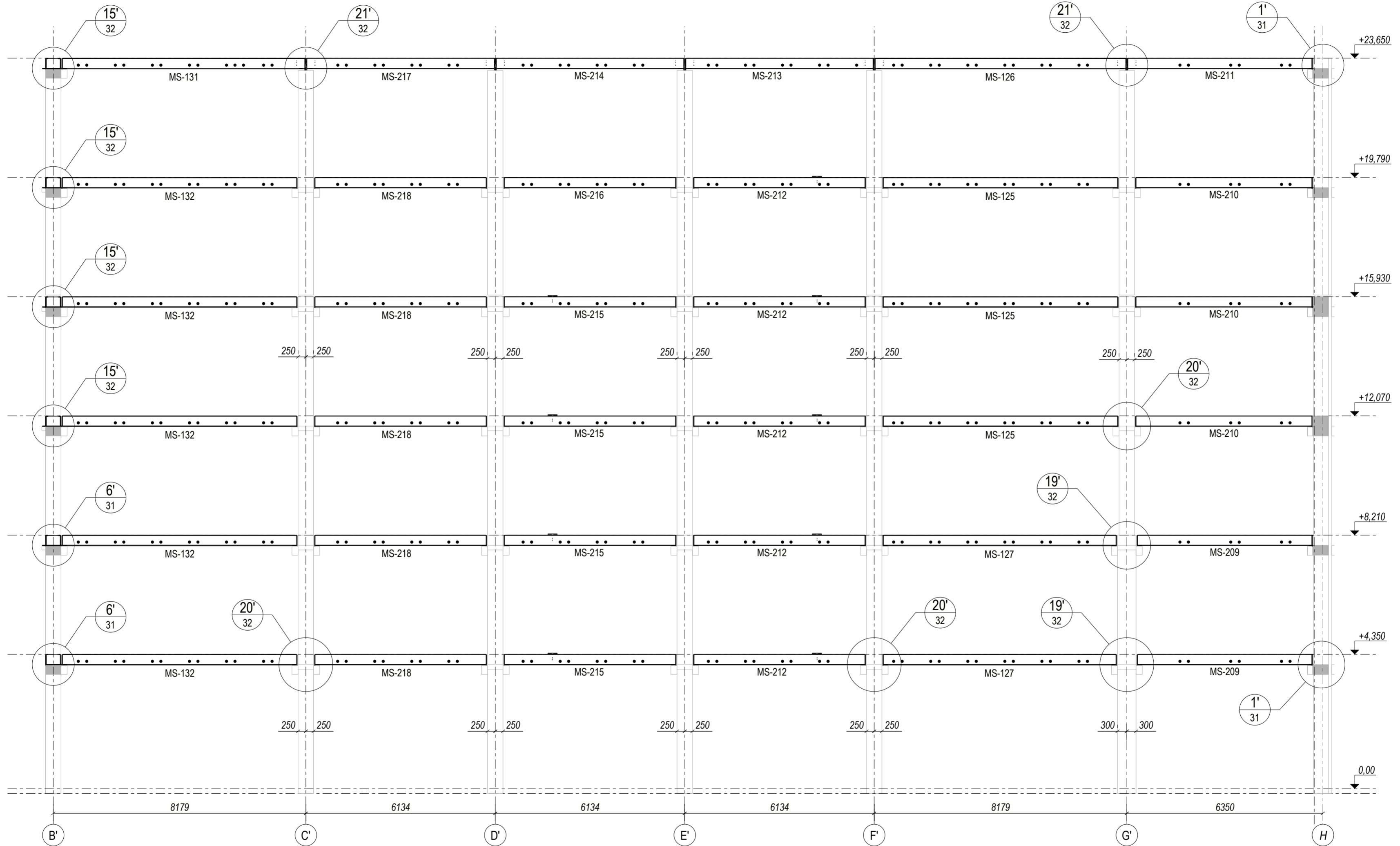
			Objekts:	1400-MD	
Izstrād.			Pasūtītājs:		
MKD pr.vad.			<b>Montāžas shēma.</b> <b>Griezums D-D, E-E</b>	Stadija	MKD
Pārbaud.				Lapa	Lapas
Apstipr.				27	32



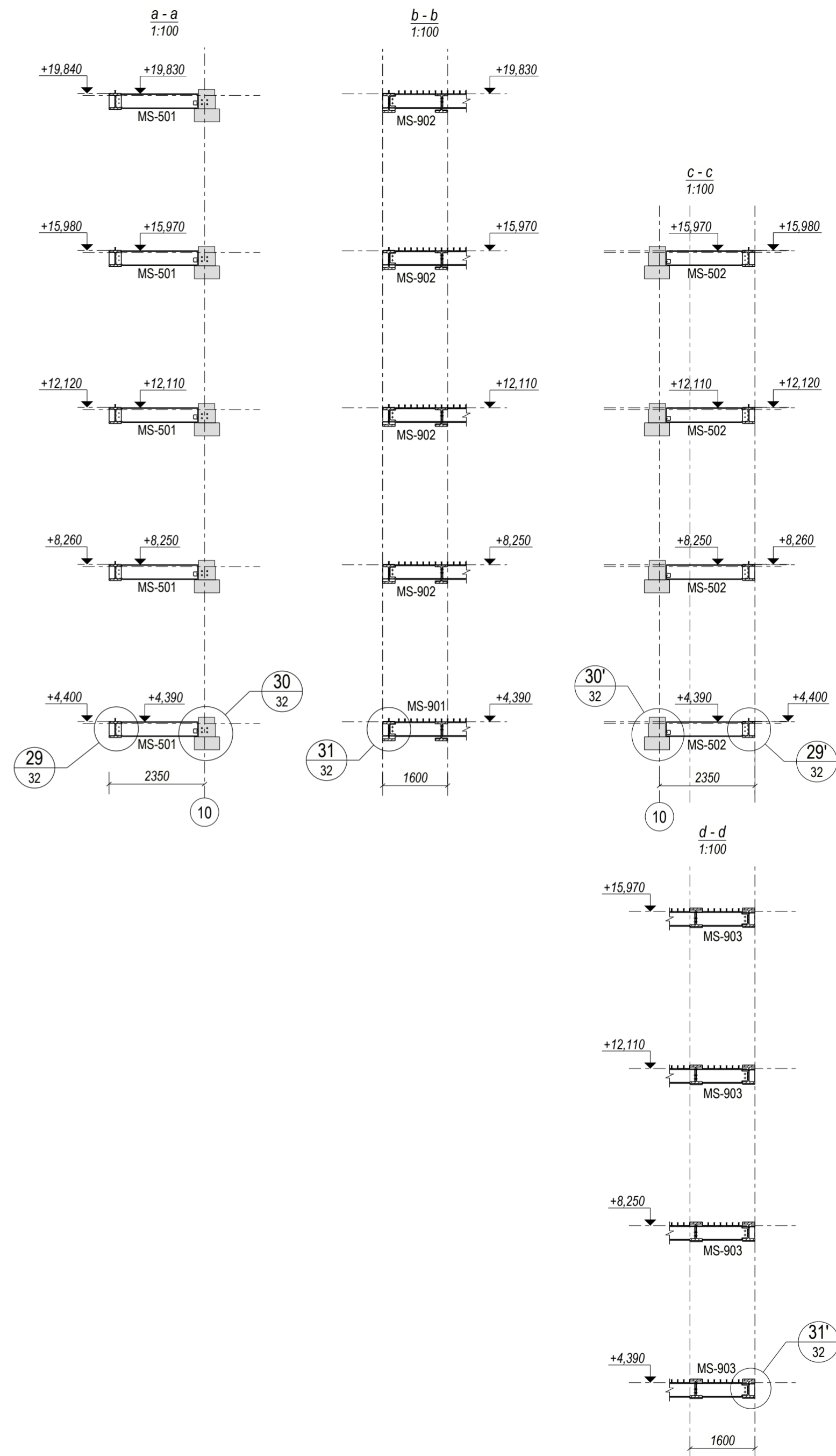
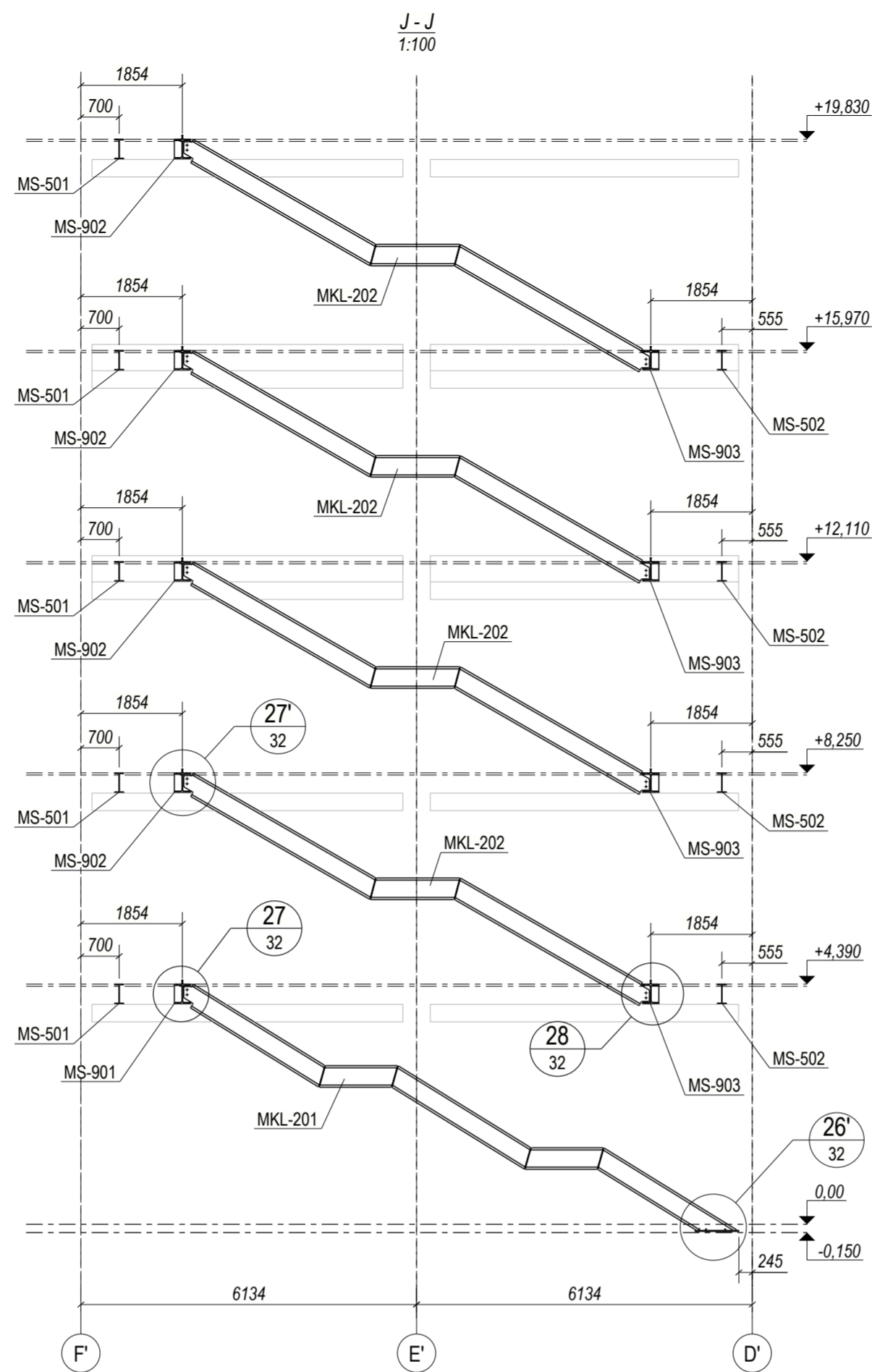
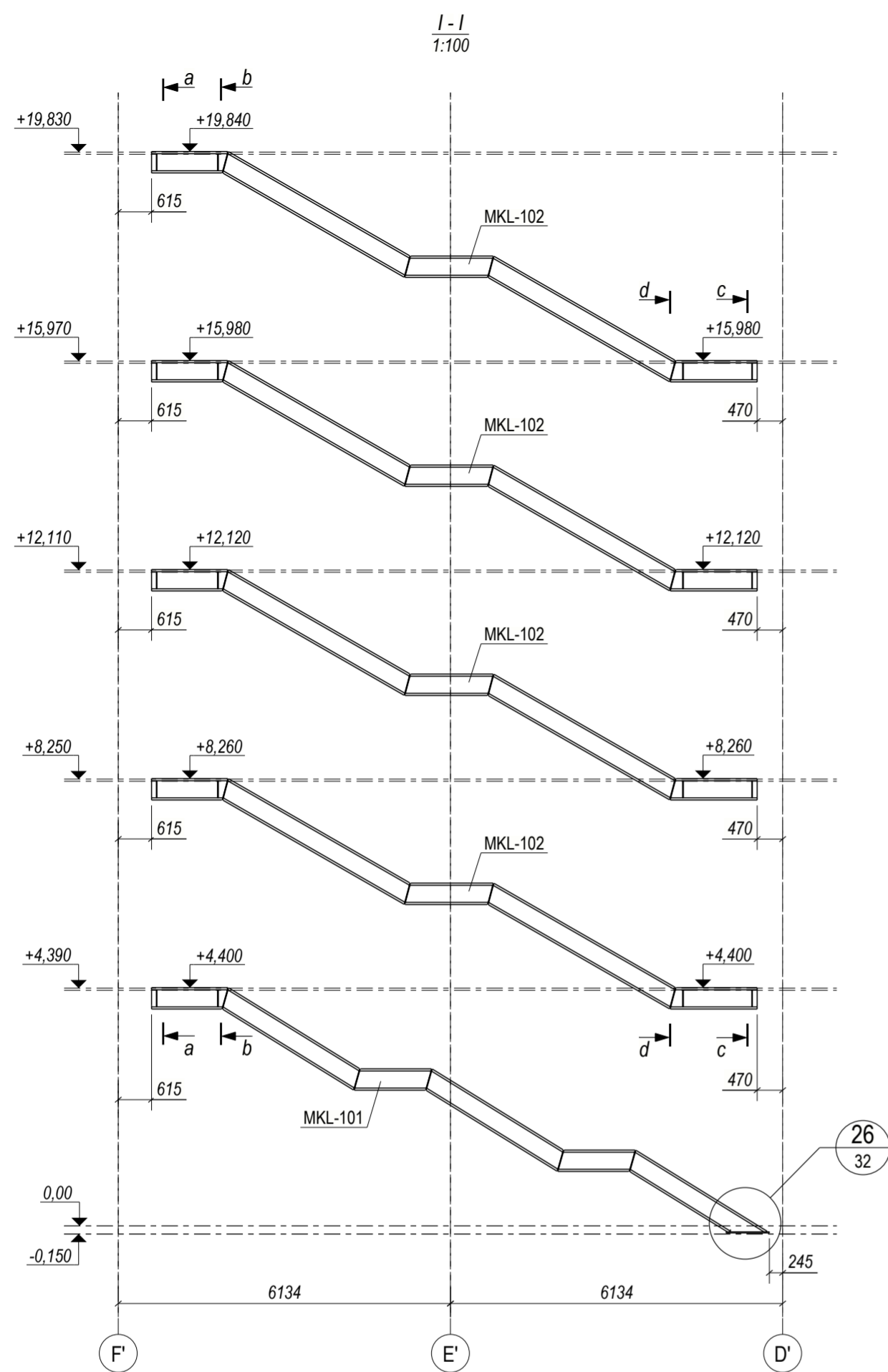
				Objekts:	1400-MD	
Izstrād.				Pasūtītājs:		
MKD pr.vad.				<b>Montāžas shēma.</b> <b>Griezums F-F, G-G</b>	Stadija	MKD
Pārbaud.					Lapa	Lapas
Apstipr.					28	32
Format: A2						



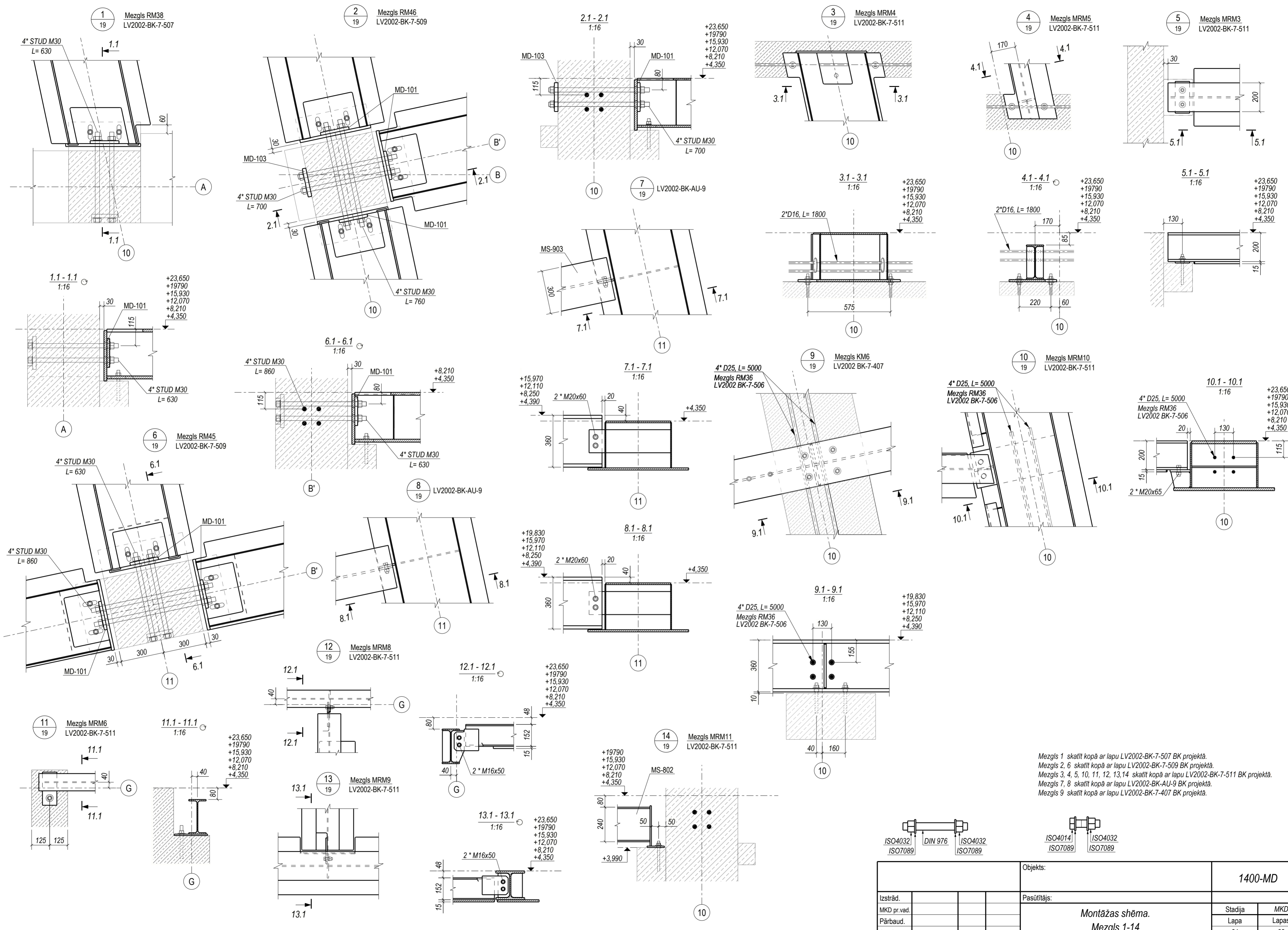
H-H  
1:100 (Ass 11)



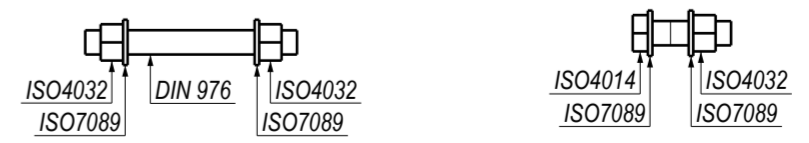
				Objekts:	1400-MD	
Izstrād.				Pasūtītājs:		
MKD pr.vad.				Montāžas shēma. Griezumi H-H	Stadija	MKD
Pārbaud.					Lapa	Lapas
Apstipr.					29	32



				Objekts:	1400-MD	
Izstrād.				Pasūtītājs:		
MKD pr.vad.				<b>Montāžas shēma.</b> <b>Griezums I-I, J-J</b>		
Pārbaud.						
Apstipr.						
				Stadija	MKD	
				Lapa	Lapas	
				30	32	

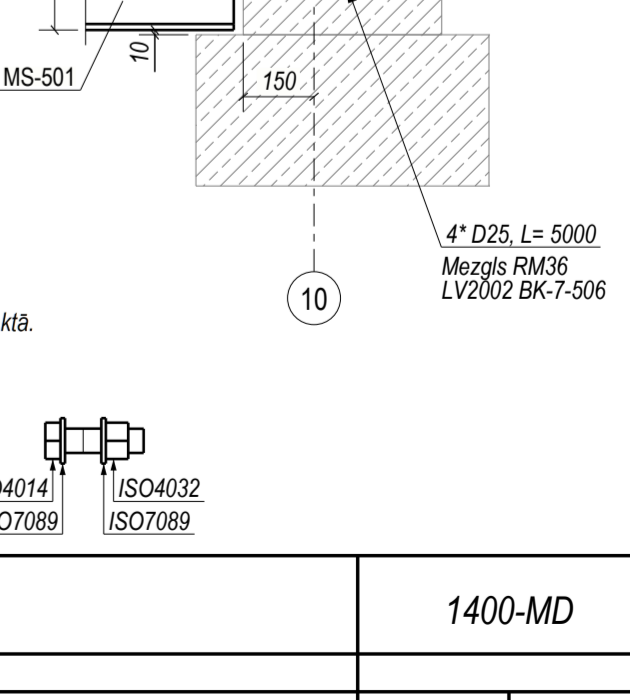
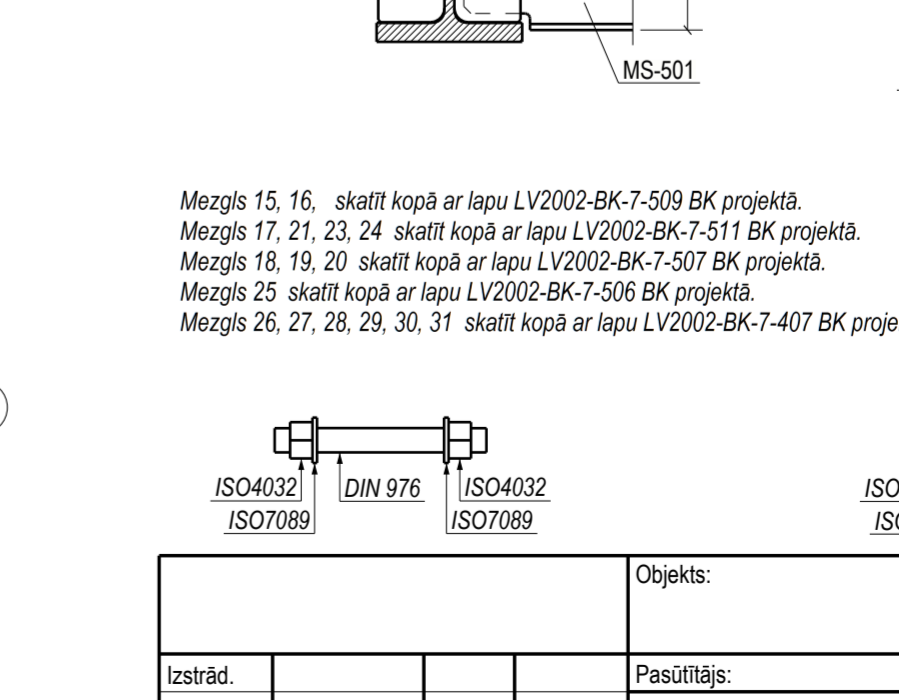
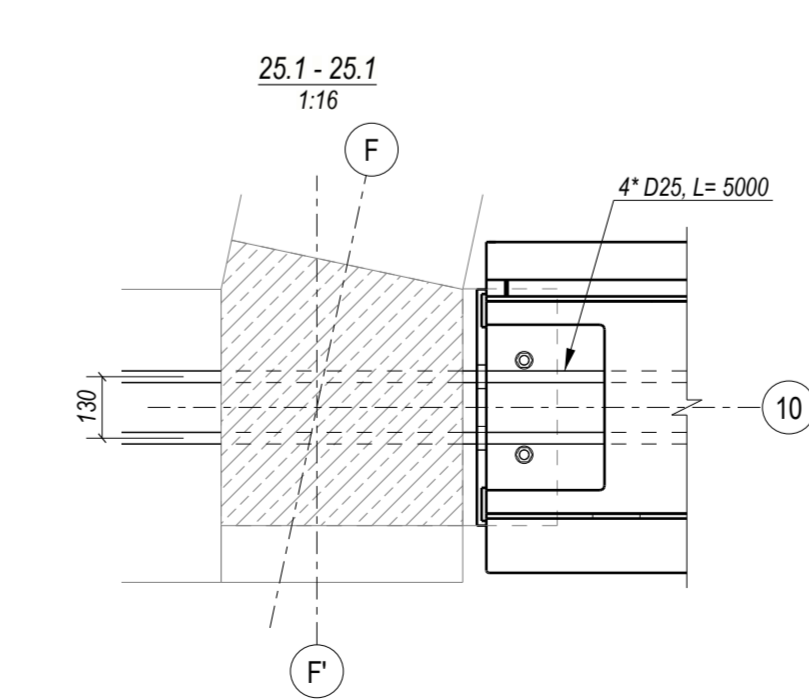
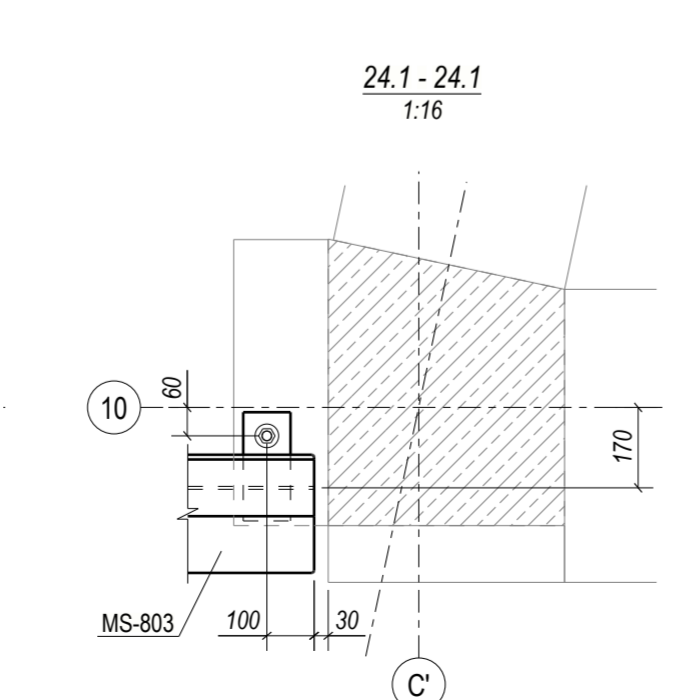
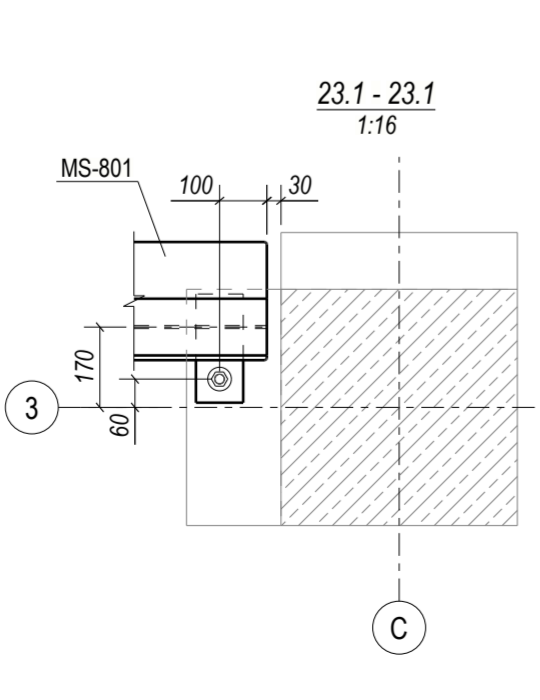
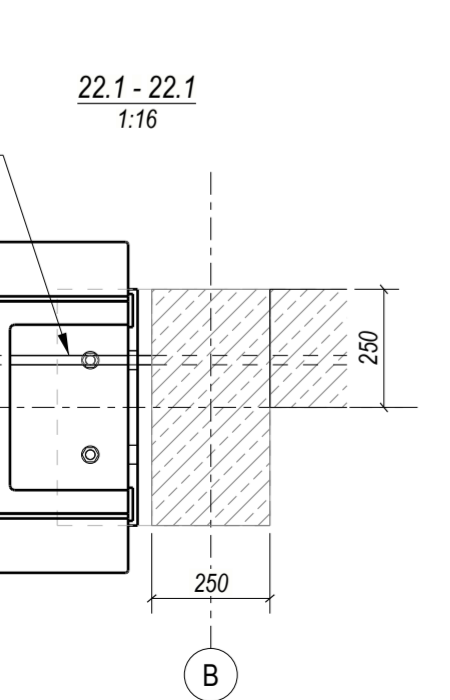
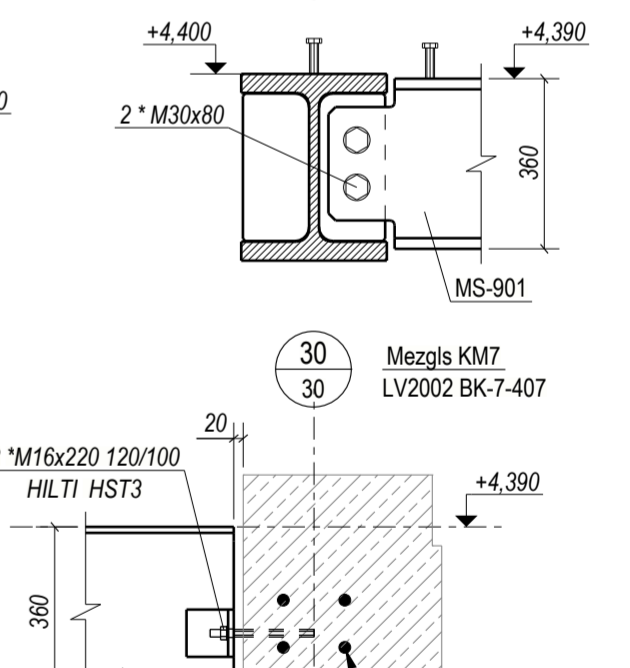
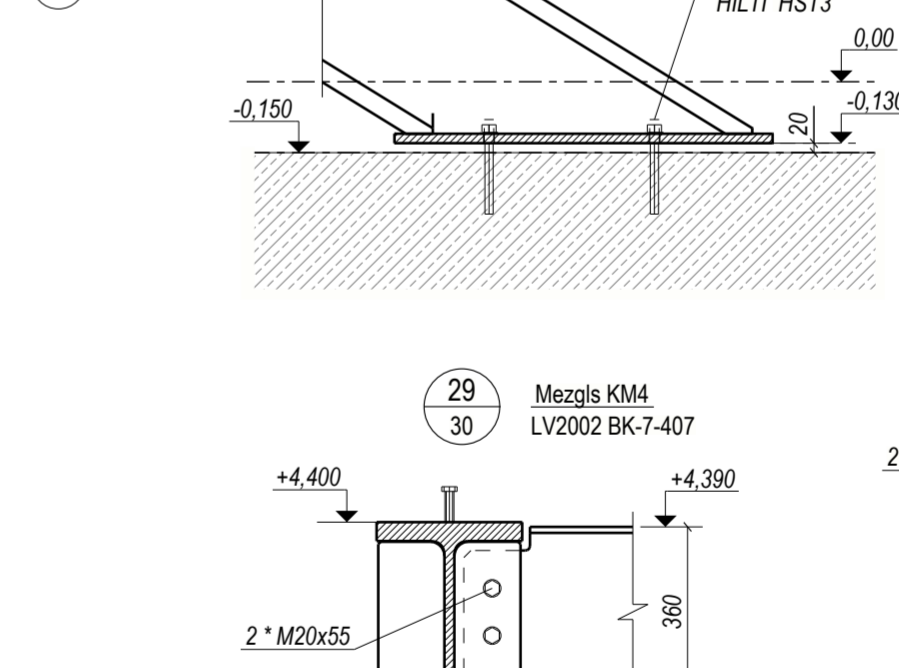
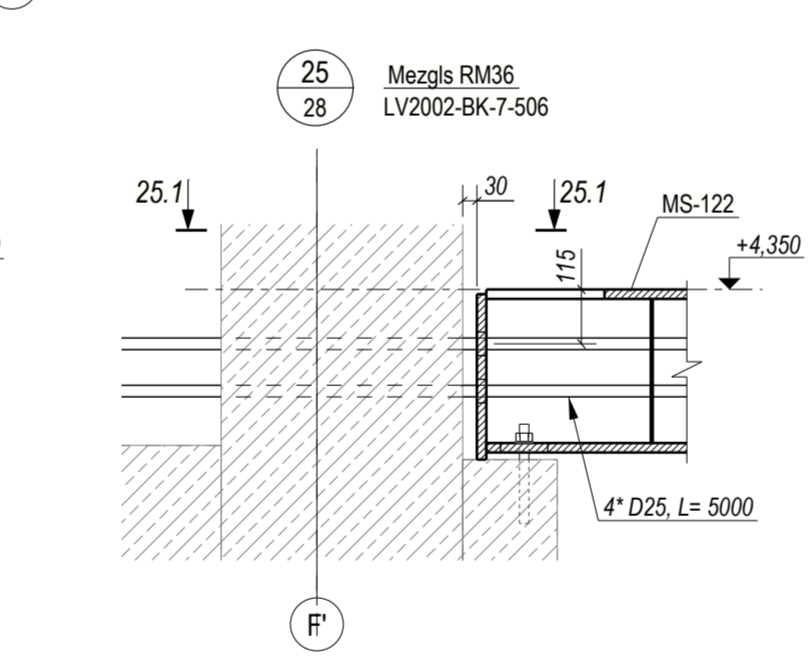
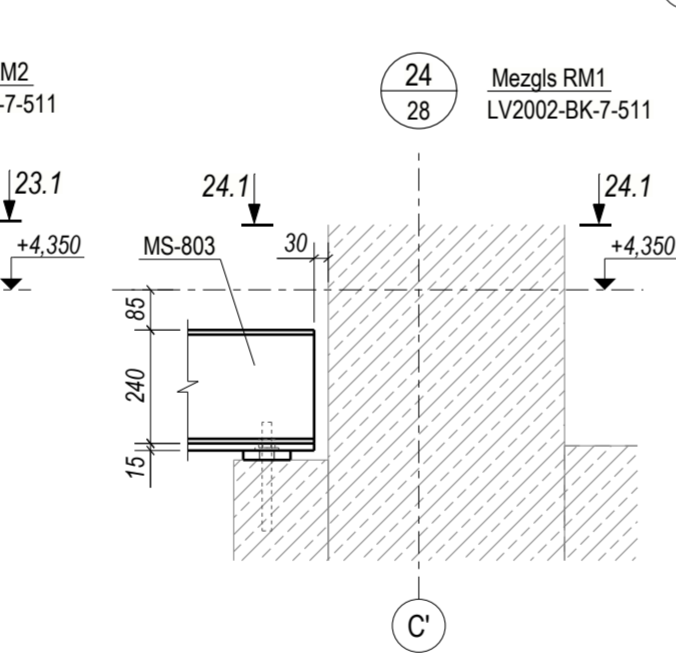
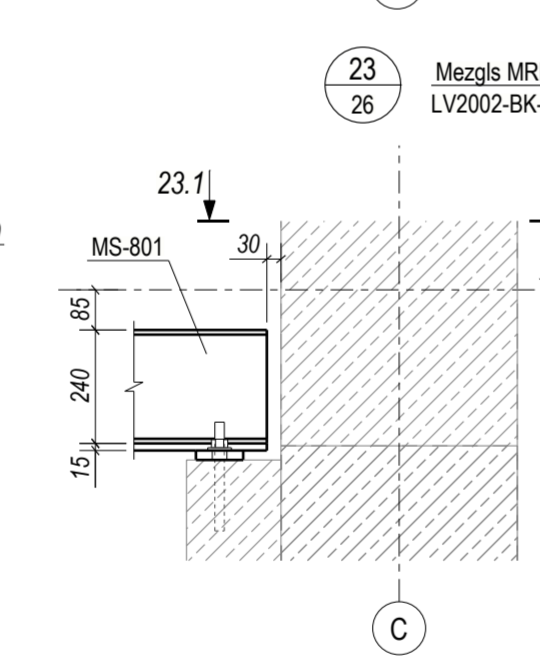
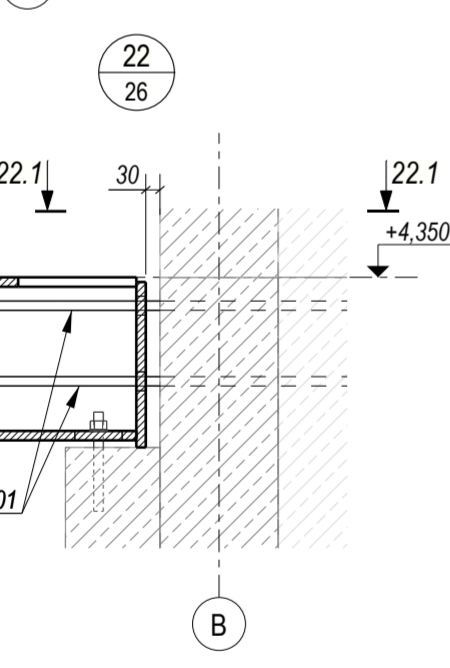
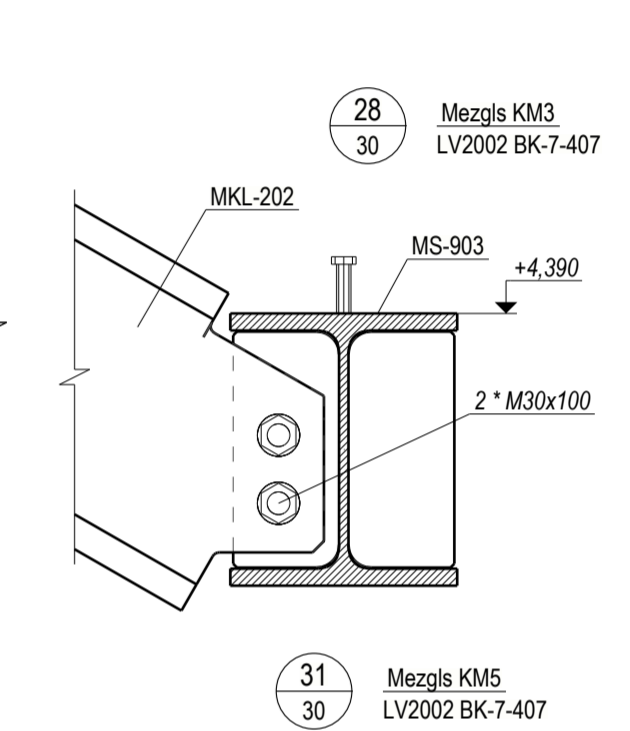
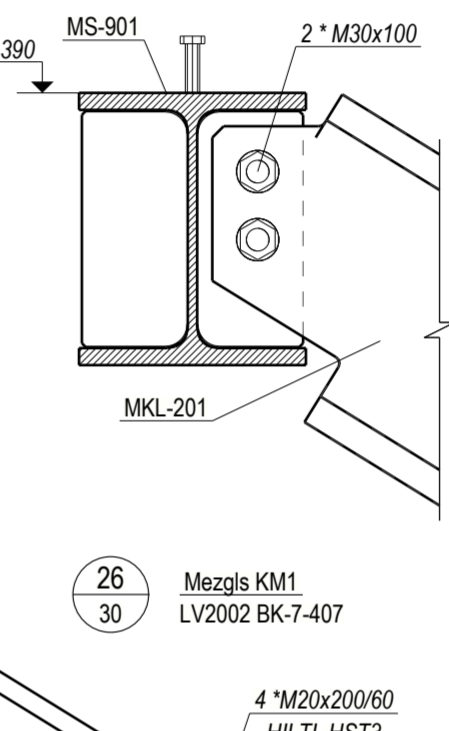
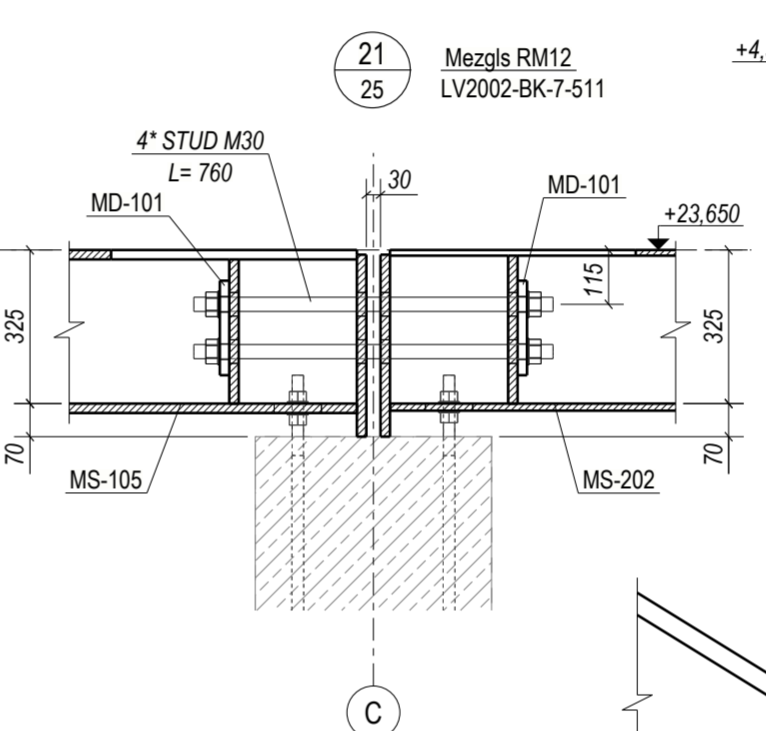
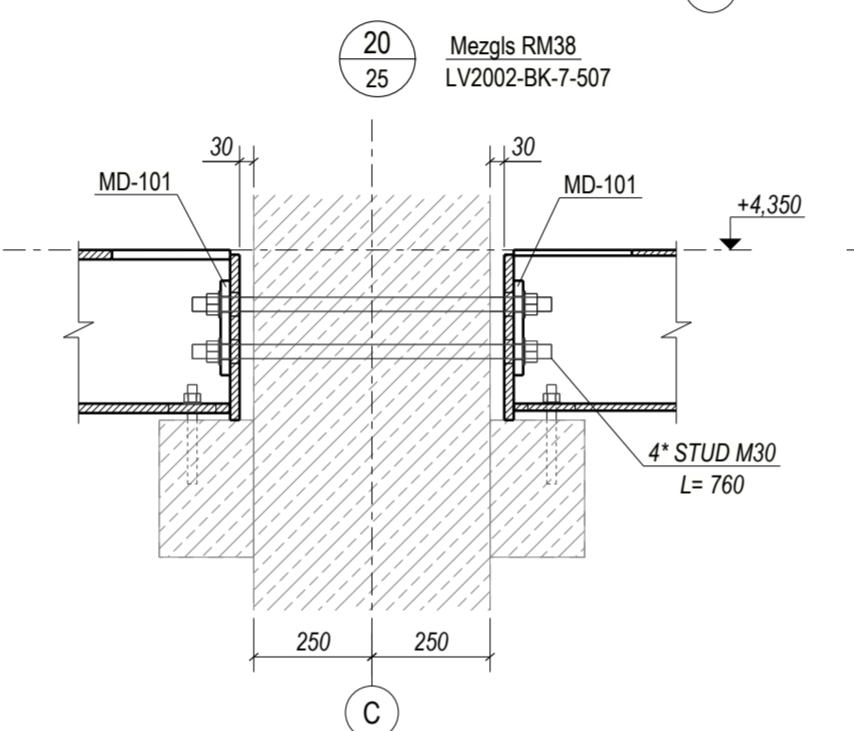
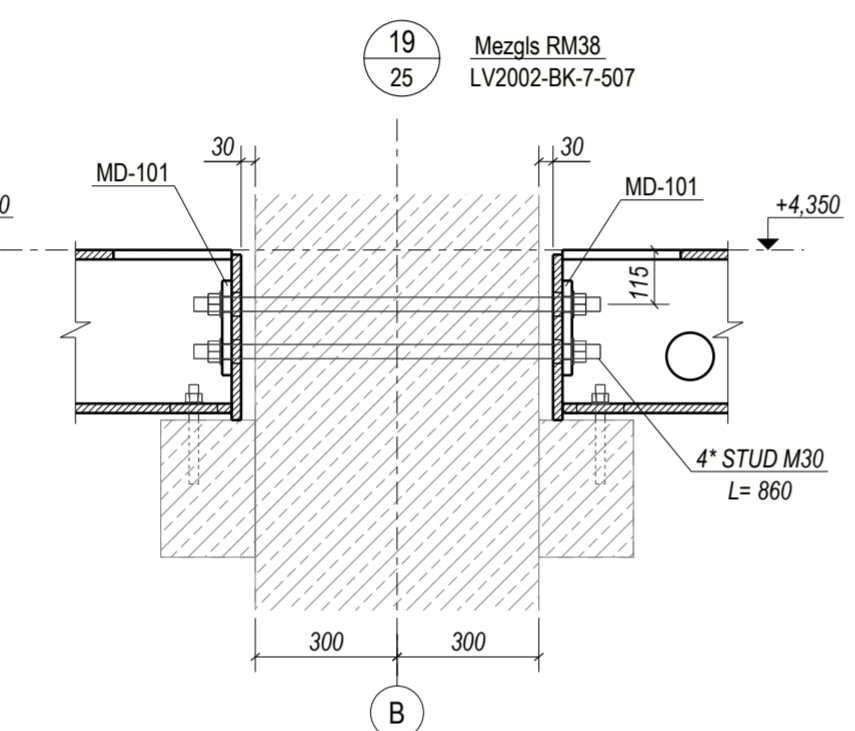
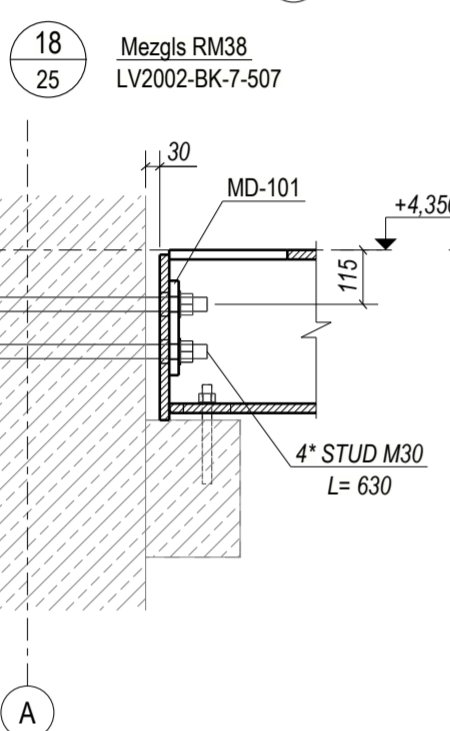
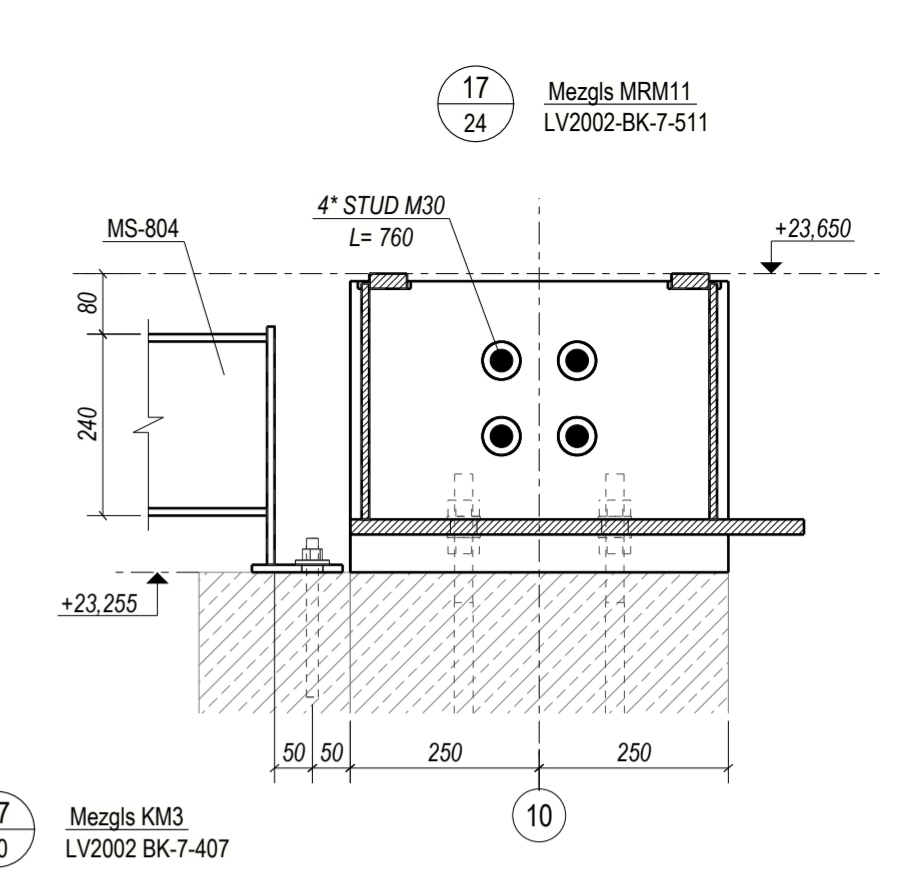
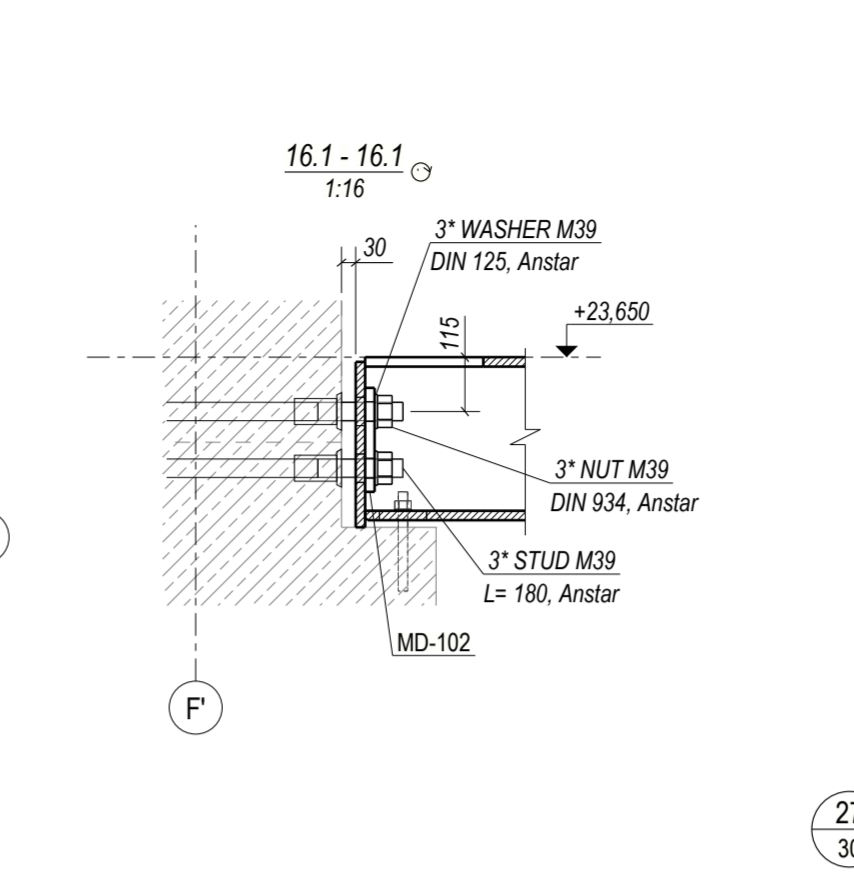
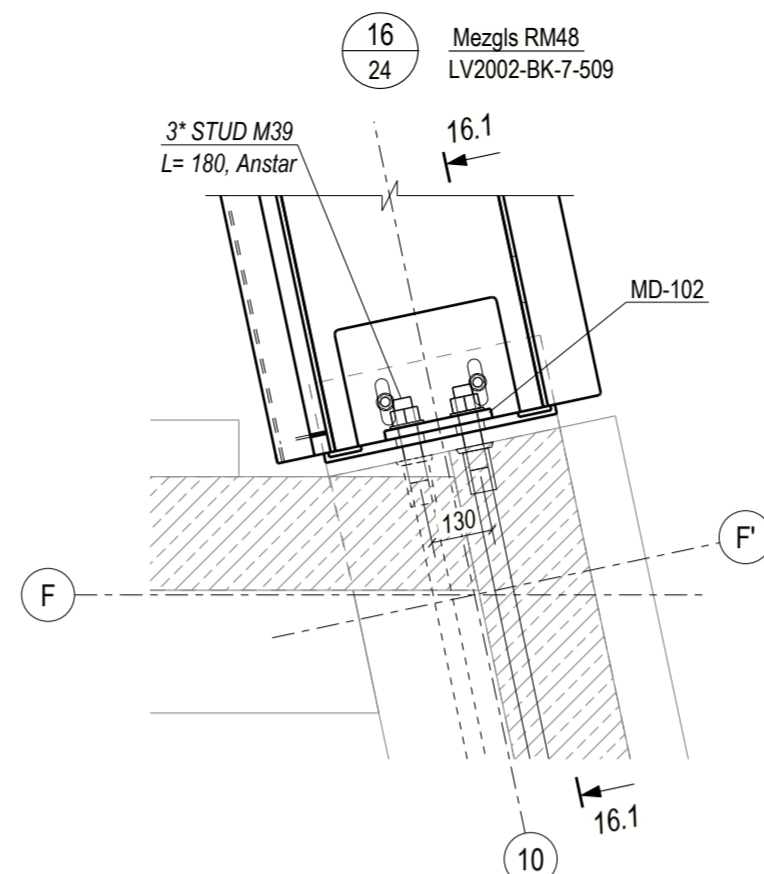
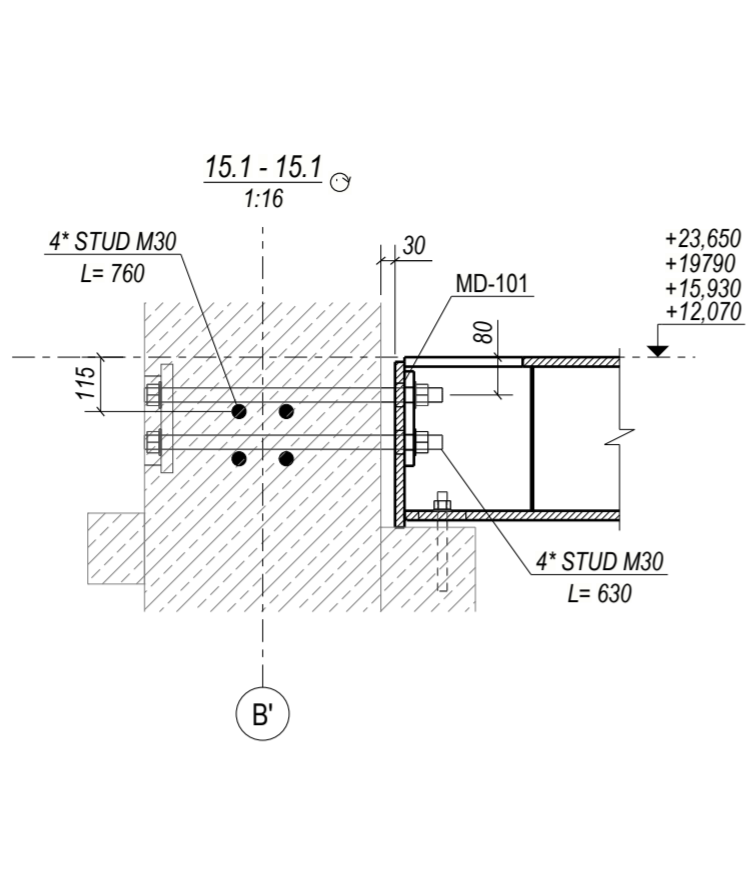
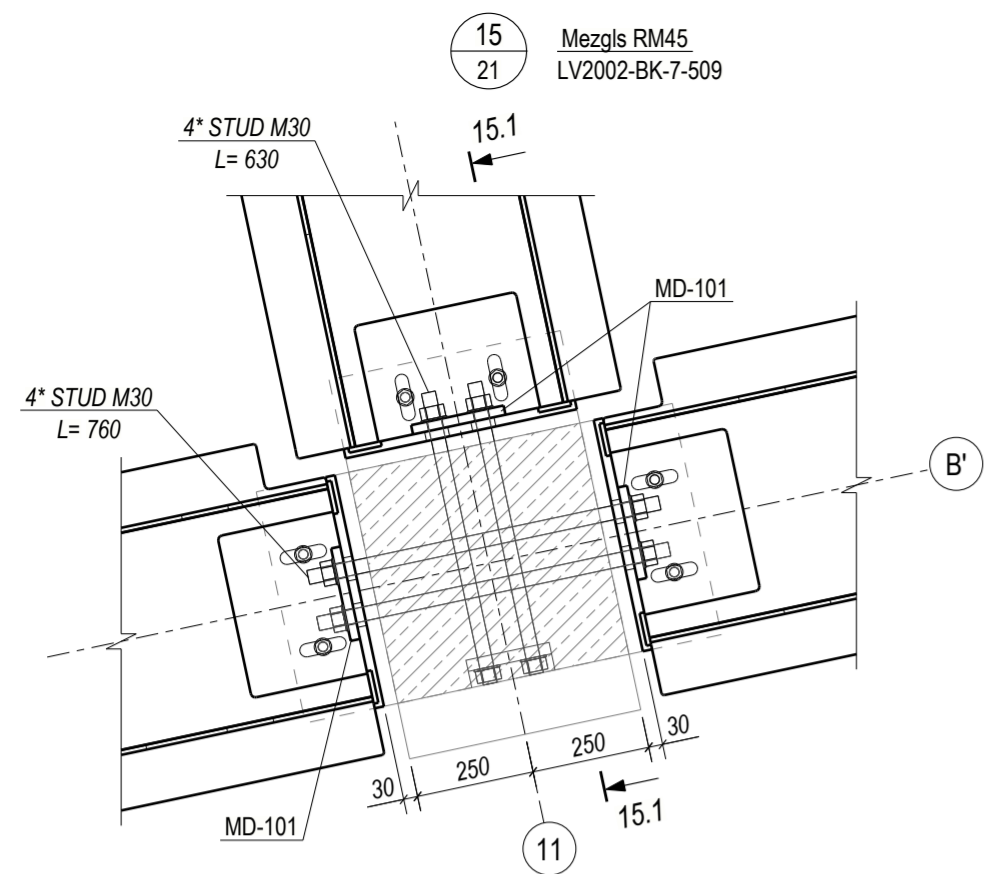


Mezģis 1 skatīt kopā ar lapu LV2002-BK-7-507 BK projektā.  
 Mezģis 2, 6 skatīt kopā ar lapu LV2002-BK-7-509 BK projektā.  
 Mezģis 3, 4, 5, 10, 11, 12, 13, 14 skatīt kopā ar lapu LV2002-BK-7-511 BK projektā.  
 Mezģis 7, 8 skatīt kopā ar lapu LV2002-BK-AU-9 BK projektā.  
 Mezģis 9 skatīt kopā ar lapu LV2002-BK-7-407 BK projektā.

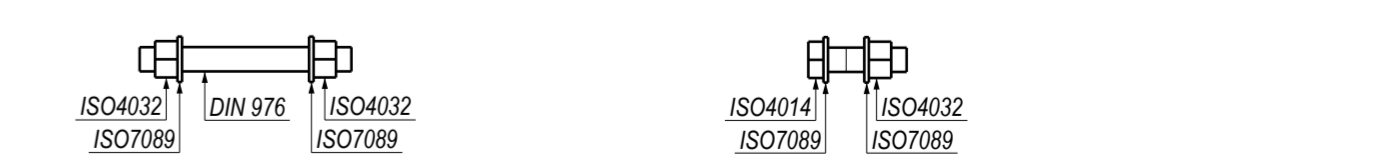


		Objekts:	1400-MD	
Izstrād.		Pasūtītājs:	Stadija	MKD
MKD pr.vad.		<b>Montāžas shēma.</b> <b>Mezģis 1-14</b>	Lapa	Lapas
Pārbaud.			31	32
Apstipr.				





Mezģis 15, 16 skatīt kopā ar lapu LV2002-BK-7-509 BK projektā.  
 Mezģis 17, 21, 23, 24 skatīt kopā ar lapu LV2002-BK-7-511 BK projektā.  
 Mezģis 18, 19, 20 skatīt kopā ar lapu LV2002-BK-7-507 BK projektā.  
 Mezģis 25 skatīt kopā ar lapu LV2002-BK-7-506 BK projektā.  
 Mezģis 26, 27, 28, 29, 30, 31 skatīt kopā ar lapu LV2002-BK-7-407 BK projektā.



Objekts:		1400-MD	
Pasūtītājs:		Stadija MKD	
Izstrād.		Lapa Lapas	
MKD pr.vad.		32 32	
Pārbaud.		Montāžas shēma. Mezģis 15-31	
Apstipr.		Format: A2	