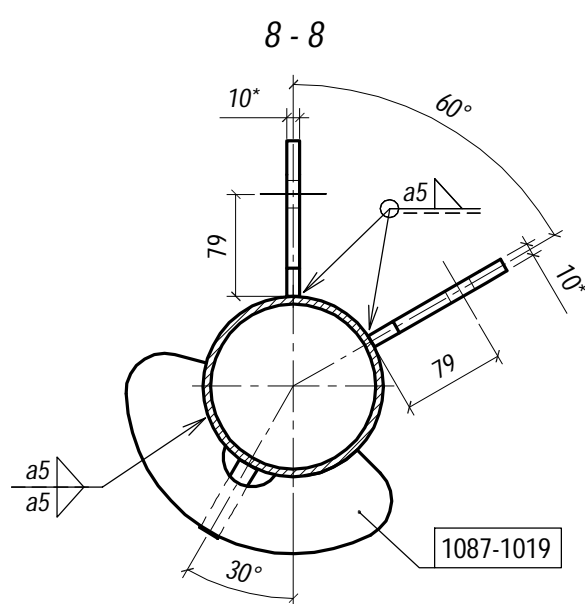
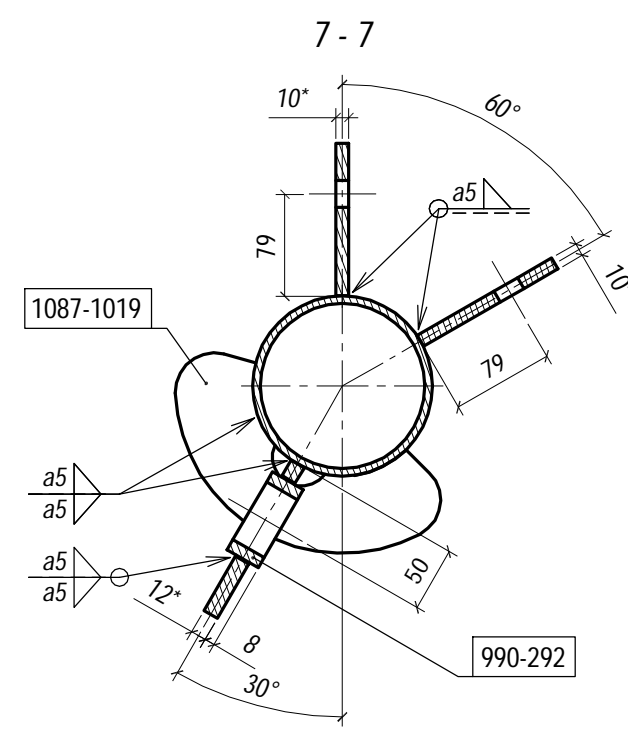
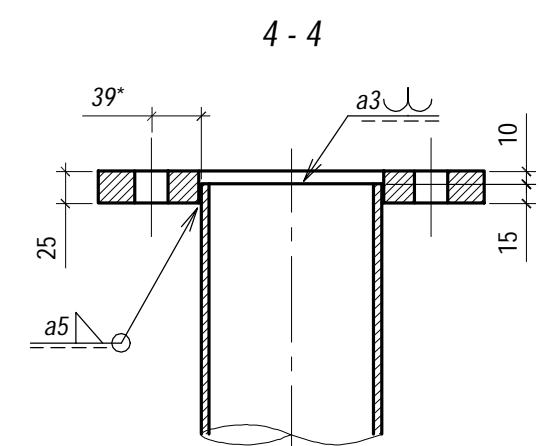
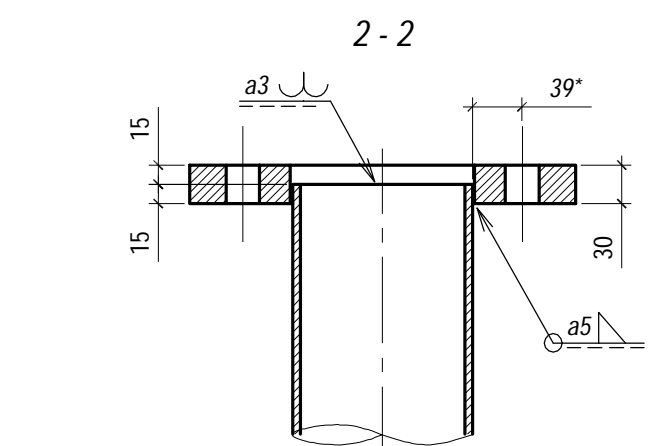
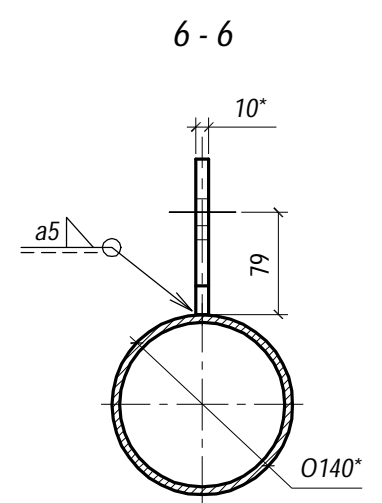
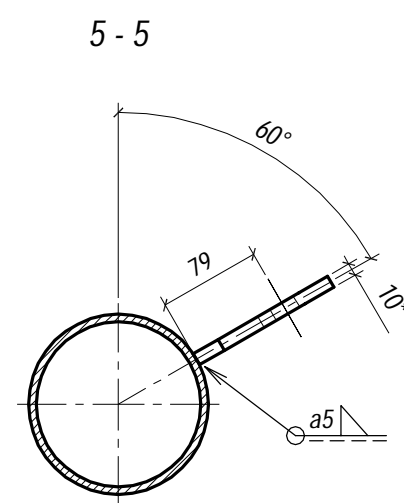
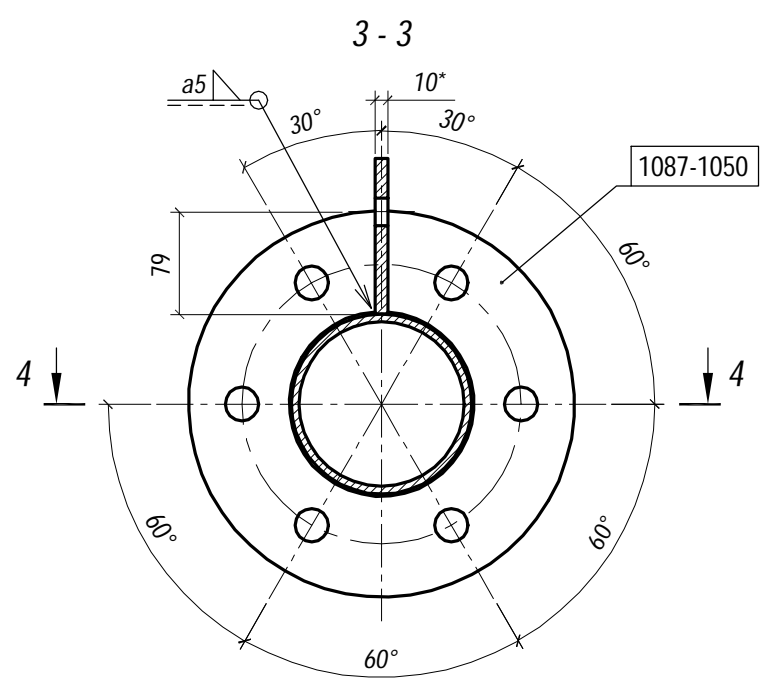
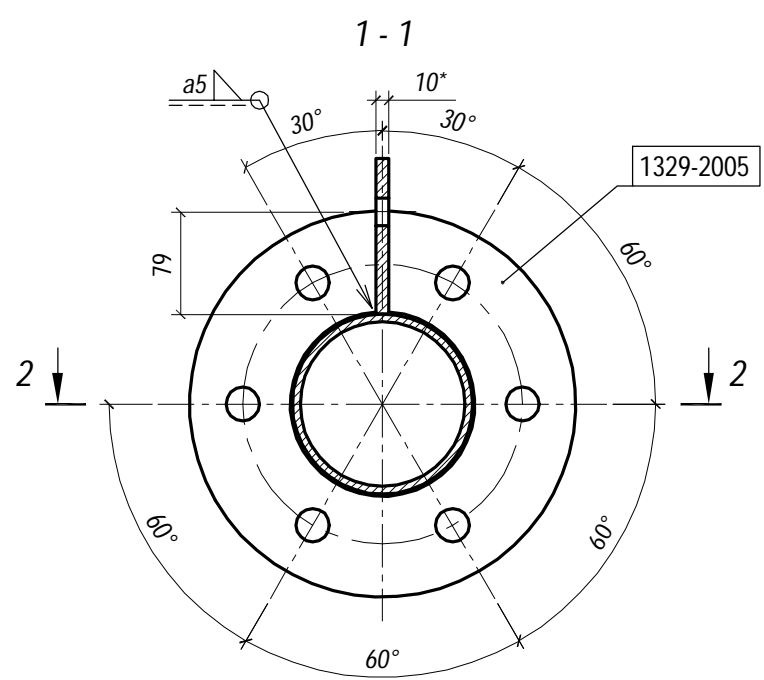
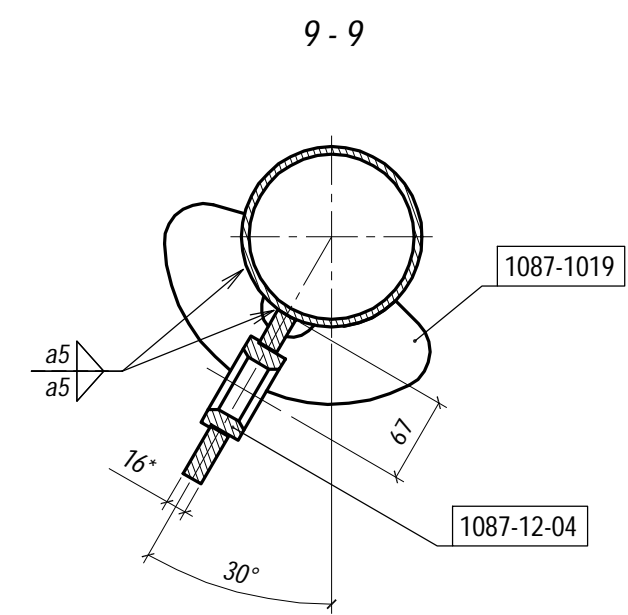
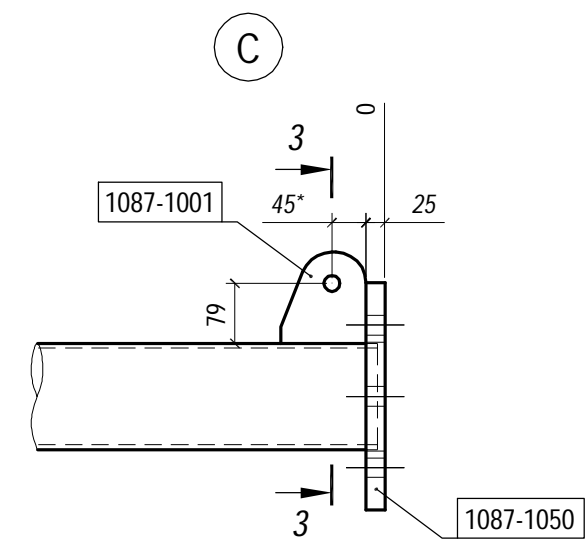
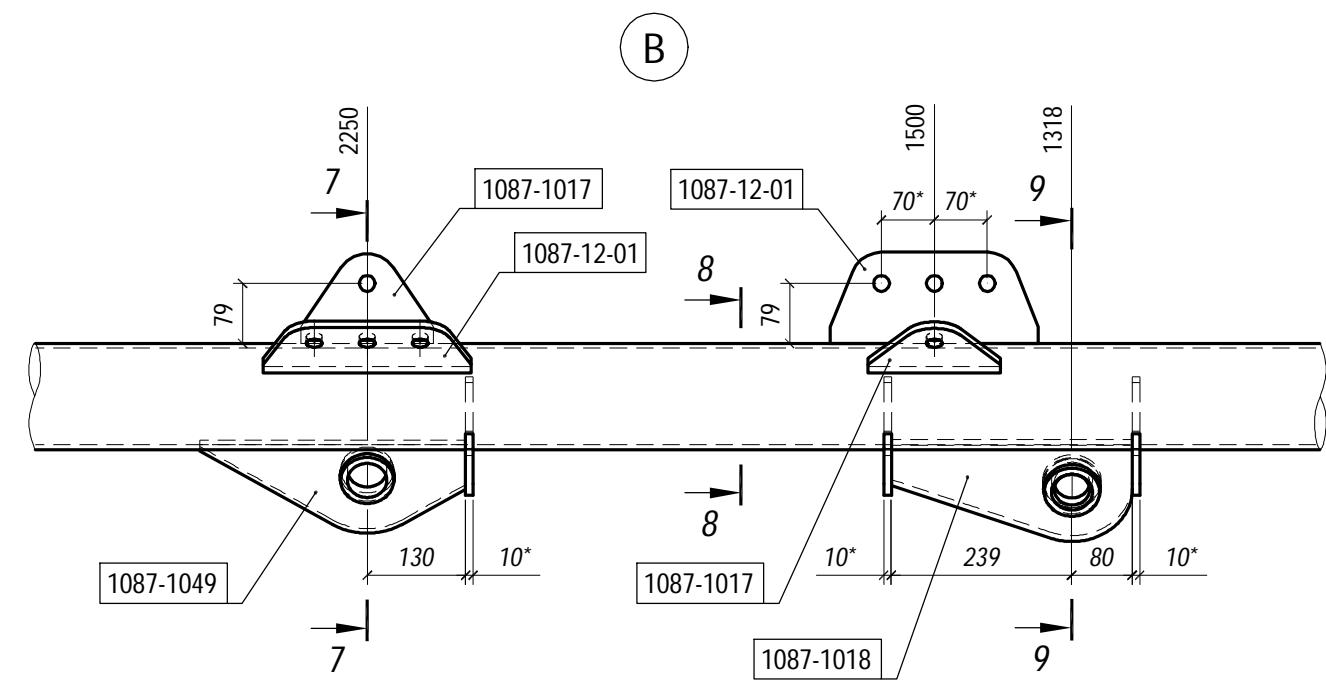
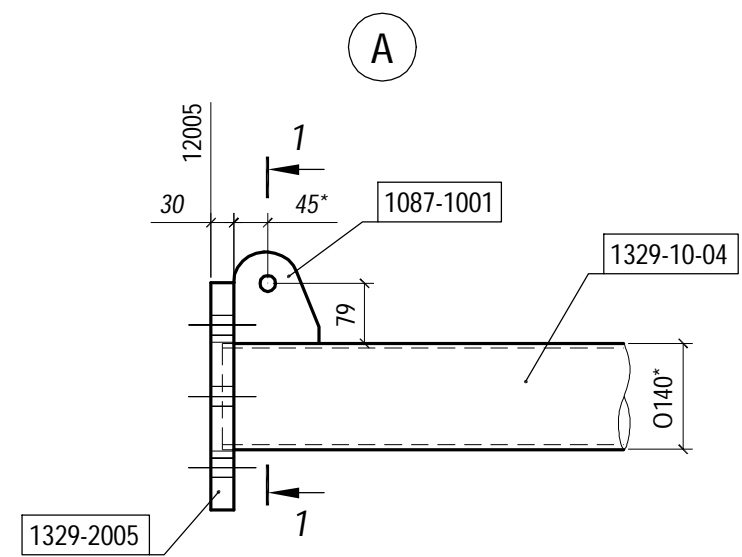
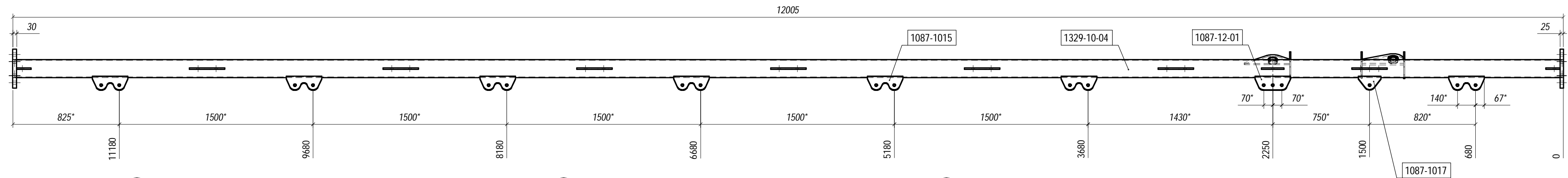
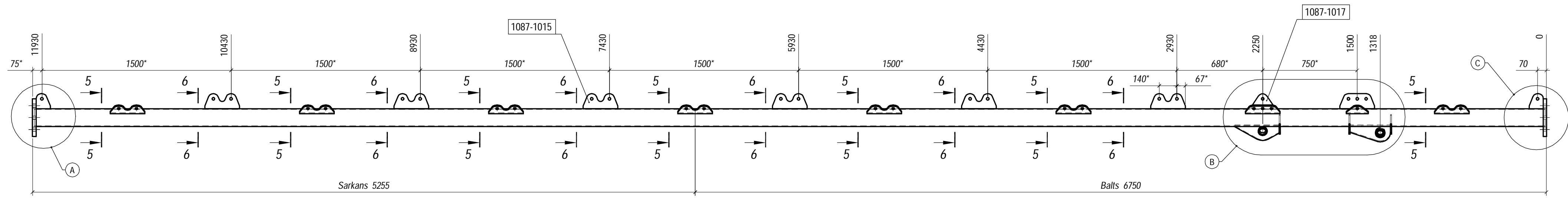


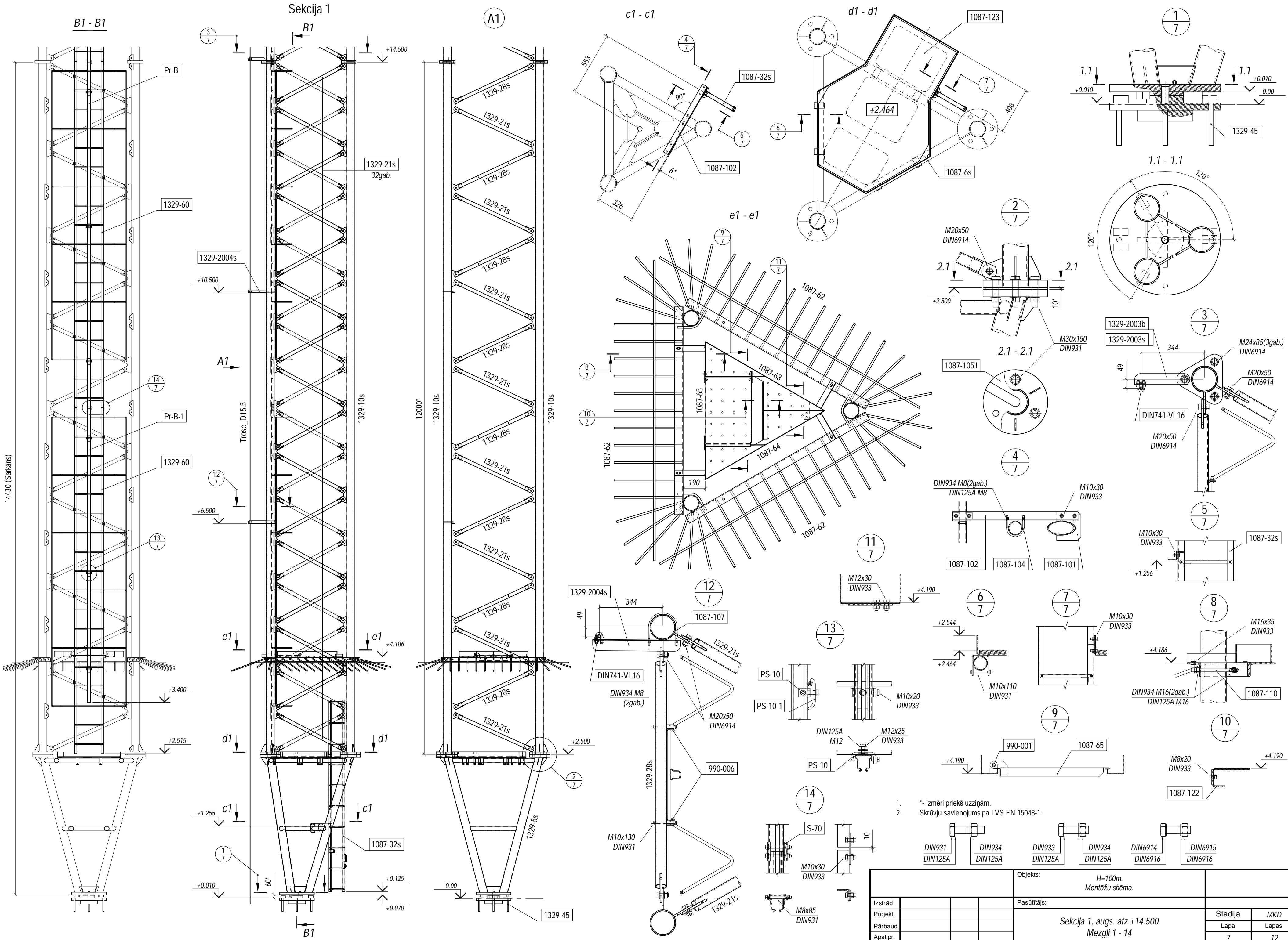
- *- izmēri izziņām
- Nodrošināt nepārtrauktas metinājuma lūves visā metināmo elementu kontakta garumā.
- Par nulles atzīmi ir pieņemta konstrukcijas apakšas atzīme.

| SPECIFIKĀCIJA | | | | | | | | |
|-----------------|----------------|----------------|-------------|------------|-----------|--------------------------|---------------|----------|
| Skice | Detālas numurs | Daudzums, gab. | Profils | Garums, mm | Svars, kg | Kopējais svars, kg | Tērauda marka | Piezīmes |
| | 1087-1001 | 2 | t10 | 10x112x121 | 0.8 | 1.7 | S235J2 | |
| | 1087-1002 | 1 | t25 | 25x247x272 | 5.3 | 5.3 | S235J2 | |
| | 1087-1015 | 13 | t10 | 10x121x275 | 1.9 | 24.9 | S235J2 | |
| | 1087-1017 | 2 | t10 | 10x119x175 | 1.1 | 2.2 | S235J2 | |
| | 1087-1018 | 1 | t16 | 16x147x319 | 3.9 | 3.9 | S235J2 | |
| | 1087-1019 | 2 | t10 | 10x130x223 | 1.1 | 2.3 | S235J2 | |
| | 1087-12-01 | 2 | t10 | 10x121x275 | 2.2 | 4.4 | S235J2 | |
| | 1087-12-04 | 1 | D78 | 77x77x32 | 0.6 | 0.6 | S235J2 | |
| | 1329-10-04 | 1 | o 140x6 | 11980 | 237.5 | 237.5 | S235J2 | BR |
| | 1329-2005 | 1 | t30 | 30x300x300 | 12.1 | 12.1 | S235J2 | |
| Metinājumu šuve | | 1% | | | | 2.9 | | |
| Kopā: | | | | | | 297.9 | | |
| | | | Objekts: | | | Masts Vm-19 LVRTC H=100m | | |
| | | | Pasūtītājs: | | | 297.9 kg | | |
| Izstrād. | | | JOSLA | | | Stadija | | MKD |
| Projekt. | | | | | | | | |
| Pārbaud. | | | | | | | | |
| Apstipr. | | | | | | | | |
| | | | | | | Lapa | | Lapas |
| | | | | | | 1 | | 1 |



- *- izmēri izziņām
- Nodrošināt nepārtrauktas metinājuma lūvnes visā metināmo elementu kontakta garumā.
- Par nulles atzīmi ir pieņemta konstrukcijas apakšas atzīme.

| SPECIFIKĀCIJA | | | | | | | | |
|------------------------------------|-----------------|----------------|-----------|------------|-----------|--------------------|---------------|----------|
| Skice | Detalās numurs | Daudzums, gab. | Profils | Garums, mm | Svars, kg | Kopējais svars, kg | Tērauda marka | Piezīmes |
| | 1087-1001 | 2 | t10 | 10x112x121 | 0.8 | 1.7 | S235J2 | |
| | 1087-1015 | 13 | t10 | 10x121x275 | 1.9 | 24.9 | S235J2 | |
| | 1087-1017 | 2 | t10 | 10x119x175 | 1.1 | 2.2 | S235J2 | |
| | 1087-1018 | 1 | t16 | 16x147x319 | 3.9 | 3.9 | S235J2 | |
| | 1087-1019 | 3 | t10 | 10x130x223 | 1.1 | 3.4 | S235J2 | |
| | 1087-1049 | 1 | t12 | 135x12x351 | 2.6 | 2.6 | S235J2 | |
| | 1087-1050 | 1 | t25 | 25x300x300 | 10.1 | 10.1 | S235J2 | |
| | 1087-12-01 | 2 | t10 | 10x121x275 | 2.2 | 4.4 | S235J2 | |
| | 1087-12-04 | 1 | D78 | 77x77x32 | 0.6 | 0.6 | S235J2 | |
| | 1329-10-04 | 1 | o 140x6 | 11980 | 237.5 | 237.5 | S235J2 | BR |
| | 1329-2005 | 1 | t30 | 30x300x300 | 12.1 | 12.1 | S235J2 | |
| | 990-292 | 1 | Apals d70 | 70x70x28 | 0.4 | 0.4 | | |
| | Metinājumu šuve | 1% | | | | 3 | | |
| Kopā: | | | | | | 306.9 | | |
| Objekts: Mastis Vm-19 LVRTC H=100m | | | | | | | | |
| Pasūtītājs: JOSLA | | | | | | | | |
| Izstrād. | | | | | | 306.9 kg | | |
| Projekt. | | | | | | Stadija | MKD | |
| Pārbaud. | | | | | | Lapa | Lapas | |
| Apstipr. | | | | | | 1 | 1 | |



- *- izmēri priekš uzzīpām.
- Skrūvju savienojums pa LVS EN 15048-1:

| | | | | | |
|-------------------|-------------------|-------------------|-------------------|--------------------|--------------------|
| DIN931 DIN125A | DIN934 DIN125A | DIN933 DIN125A | DIN934 DIN125A | DIN6914 DIN6916 | DIN6915 DIN6916 |
|-------------------|-------------------|-------------------|-------------------|--------------------|--------------------|

| | | | |
|----------|--|------------------------------|-------|
| Objekts: | | H=100m. Montāžu shēma. | |
| Izstrād. | | Pasūtītājs: | |
| Projekt. | | Seksija 1, augs. atz.+14.500 | |
| Pārbaud. | | Mezglī 1 - 14 | |
| Apstipr. | | Stadija | MKD |
| | | Lapa | Lapas |
| | | 7 | 12 |